

SITE PLAN

9 ROUTE 103 WEST

ASSESSOR'S MAP 35 LOTS 4-1 & 4-2

WARNER, NH 03278

DATE: MAY 06, 2020

REV: FEBRUARY 10, 2021

PREPARED FOR:

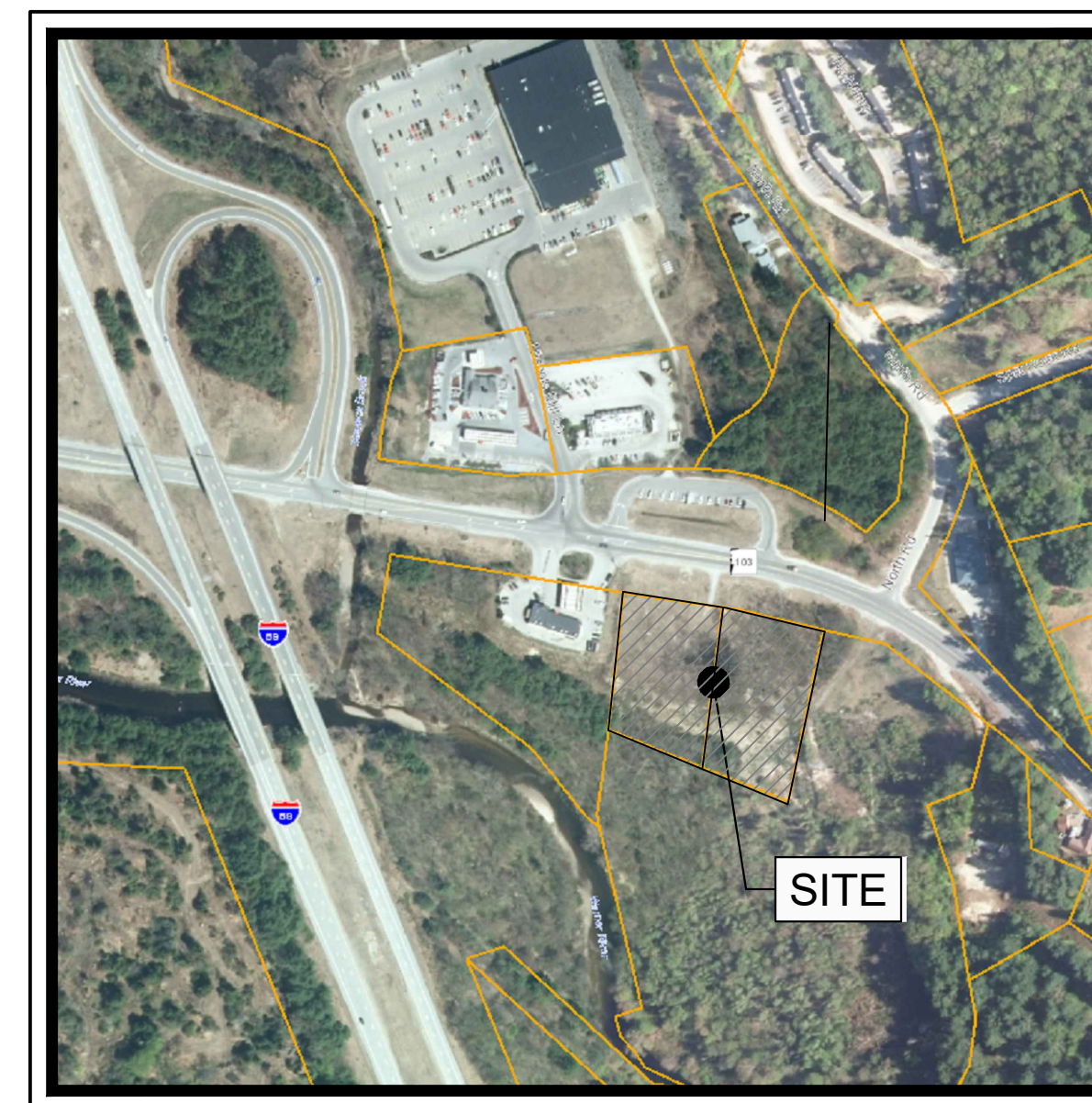
COMET, LLC

355 MIDDLESEX AVE, SUITE 7

WILMINGTON, MA 01887

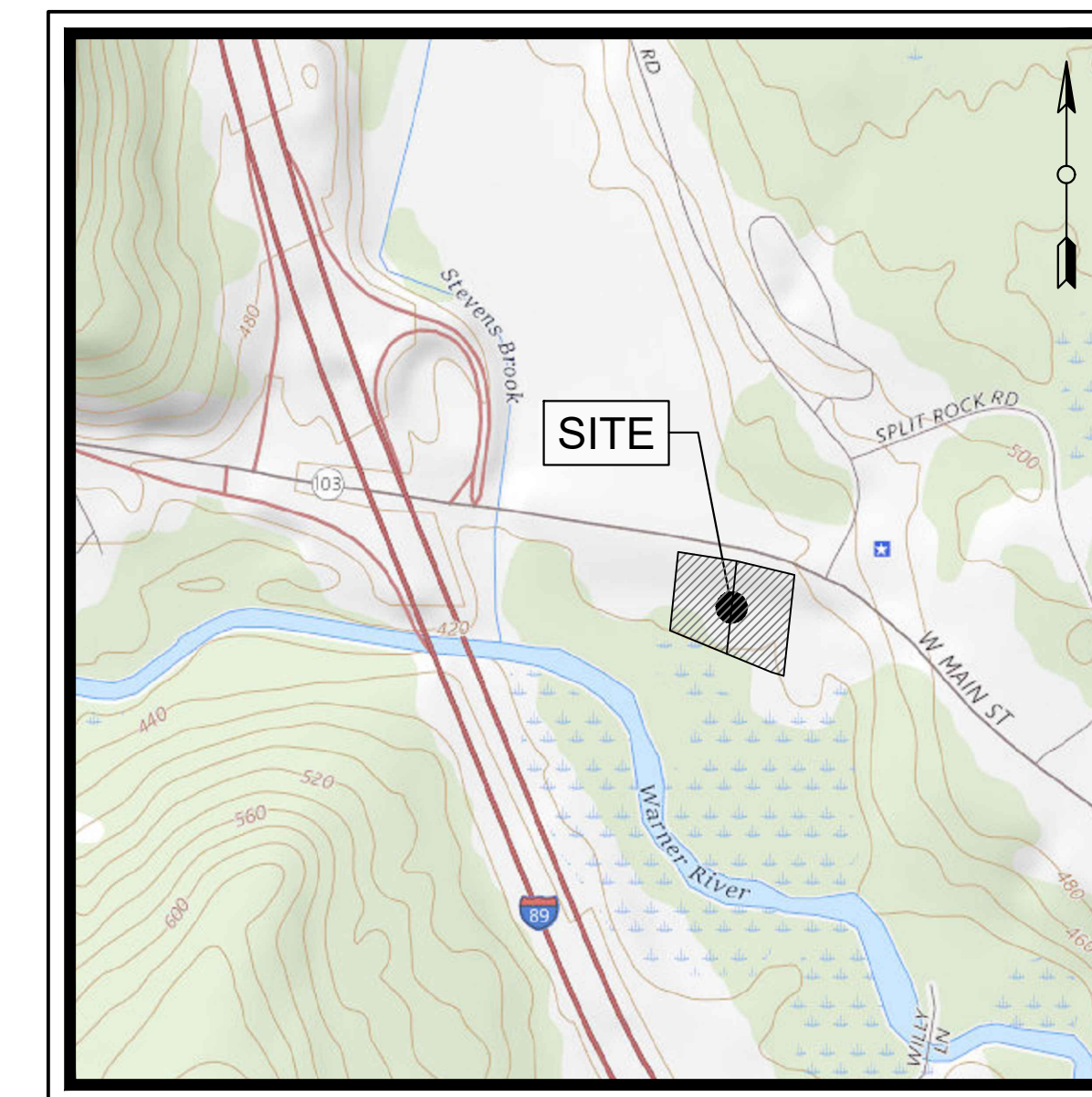
INDEX OF DRAWINGS

SHEET NO.	DWG NO.	DRAWING TITLE
1.	CS0001	COVER SHEET
2.	CS0002	NOTES AND LEGEND
3.	CS0201	EXISTING CONDITIONS PLAN
4.	CS0202	EXISTING CONDITIONS PLAN -SITE VIEW
5.	CS0501	TRAFFIC CONTROL & DEMO PLAN
6.	CS1001	LAYOUT AND MATERIALS PLAN
7.	CS1501	GRADING AND DRAINAGE PLAN
8.	CS1701	UTILITY PLAN
9.	CS6001	SITE DETAILS
10.	CS6002	SITE DETAILS
11.	CS6021	DRAINAGE DETAILS
12.	CS6022	STORMWATER STORAGE SYSTEM DETAILS
13.	CS6051	UTILITY DETAILS
14.	CS7001	LANDSCAPE & LIGHTING PLAN
15.	CS8001	EROSION AND SEDIMENT CONTROL PLAN - PHASE 1
16.	CS8002	EROSION AND SEDIMENT CONTROL PLAN - PHASE 2
17.	CS8501	EROSION AND SEDIMENT CONTROL DETAILS



LOCUS MAP

1" = 350'



USGS MAP

N.T.S.

DATE	NO.	REVISIONS	BY
02/10/2021	1	09/14/2020 DES REVIEW COMMENTS	BCO
07/10/2020	1	FINAL REVIEW COMMENTS	BCO

PREPARED BY:

RANGER ENGINEERING GROUP, INC

Ranger Engineering Group, Inc.

13 Branch Street, Suite 101

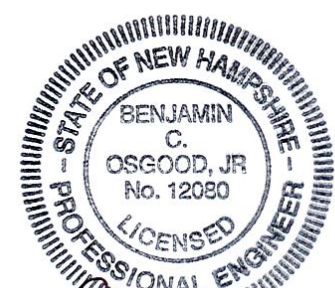
Methuen, MA 01844

Tel: 978-208-1762

rangereng.com

WARNER PLANNING BOARD CHAIRMAN:

DATE:



Ben C. Osgood, Jr.
2/10/21

SITE PLAN
ROUTE 103 WEST, WARNER NH,
ASSESSOR'S MAP 35 LOTS 4-1 & 4-2

OWNER: COMET, LLC
355 MIDDLESEX AVE, SUITE 7 WILMINGTON, MA 01887

COVER SHEET
CS0001

Ranger Engineering Group, Inc.
13 Branch Street, Suite 101
Methuen, MA 01844
Tel: 978-208-1762
rangereng.com

DATE:
2020-05-06

SCALE:
1" = 30'

SHEET 1 OF 17

PLOTTED: 2/10/2021 12:32 PM BY: Ben Osgood, Jr. PROJECT STATUS: ...

USE REGULATIONS TABLE

USES	TYPES	BY RIGHT	SPECIAL PERMIT	PARKING
CONVENIENCE RETAIL ESTABLISHMENTS	FOOD, DRUGS, PROPRIETY GOODS	X		1 SPACE PER 150 SF (50 PARKING SPACES @ 7500 SF)
GENERAL MERCHANDISE RETAIL	APPAREL, FURNITURE, HARDWARE, DISCOUNT	X		1 SPACE PER 250 SF (30 PARKING SPACES @ 7500 SF)
EATING AND DRINKING ESTABLISHMENTS		X		1 SPACE PER 3 SEATS & 1 SPACE PER EMPLOYEE
DRIVE IN EATING ESTABLISHMENTS	FAST FOOD		X	1 SPACE PER 50 SF (150 @ 7,500 SF) 1 SPACE PER 3 SEATS & 1 PER EMPLOYEE
HOTEL/MOTEL		X		1.1 SPACE PER UNIT & 1 SPACE PER 100 SF OF COMMON SPACE & 1 SPACE PER 5 RESTAURANT SEATS
PERSONAL/CONSUMER SERVICE ESTABLISHMENT		X		
PROFESSIONAL/BUSINESS OFFICES AND SERVICES		X		1 SPACE PER 100 SF (100 SPACES @ 10,000 SF)
MISC. BUSINESS REPAIR SERVICES			X	
MOVIE THEATER		X		
INDOOR AMUSEMENT/ RECREATION SERVICE			X	
COMMUNICATIONS/ TELEVISION TOWER			X	
COMMERCIAL PARKING LOT/STRUCTURE			X	
BUS PASSENGER TERMINAL			X	
RESEARCH OFFICES			X	1 SPACE PER 100 SF (100 SPACES @ 10,000 SF)
LIGHT INDUSTRIAL FIRM	MACHINE SHOP, COMPUTER, ETC		X	
PRIVATE DAY CARE			X	
ACCESSORY BUILDING	PRIVATE POOL, PRIVATE GARAGE, TOOL SHED, ETC	X		
YEAR-ROUND GREENHOUSE/ FARM STAND	AGRICULTURE/FARM PRODUCTS FOR RETAIL SALE		X	
PUBLIC UTILITY		X		
TOWN OWNED UTILITY FACILITY/PLANT	POWER, WATER FILTER, SEWAGE TREATMENT		X	
HOSPITAL/MEDICAL INSTITUTION			X	1 SPACE PER 100 SF (100 SPACES @ 10,000 SF)
TOWN BUILDING		X		
PUBLIC PARK			X	

CONSTRUCTION NOTES:

- CONSTRUCTION**
 - TOPSOIL:** EXISTING TOPSOIL AND SUBSOIL SHALL BE REMOVED FROM ROADWAY AND BUILDING AREAS AND STOCKPILED.
 - TREES AND STUMPS:** TREES AND STUMPS SHALL BE REMOVED FROM THE SITE AND DISPOSED OF IN AN APPROVED MANNER. STUMPS SHALL NOT BE BURIED ON SITE.
 - MATERIALS**
 - BITUMINOUS CONCRETE PAVEMENT:**

PARKING AREAS:
 SURFACE COURSE: 1-1/2 INCHES CLASS I BITUMINOUS CONCRETE PAVEMENT, TYPE I-1
 WEARING COURSE
 BINDER COURSE: 2-1/2 INCHES CLASS I BITUMINOUS CONCRETE PAVEMENT, TYPE I-1
 BINDER COURSE
 GRAVEL BASE COURSE: 4 INCHES COMPACTED DENSE GRADED CRUSHED STONE FOR SUB-BASE (NH 300.304)
 8 INCHES COMPACTED SUB-BASE
 - LANDSCAPE AREAS:** DISTURBED AREAS NOT COVERED BY STRUCTURES OR PAVEMENT AND NOT OTHERWISE SPECIFIED ON THE LANDSCAPE PLAN SHALL RECEIVE 6 INCHES OF TOPSOIL. THESE AREAS ARE TO BE SEEDED AND WATERED UNTIL A HEALTHY STAND OF GRASS IS OBTAINED. LANDSCAPE AREAS ADJACENT TO THE BUILDING SHALL BE FINISHED WITH 3" OF 1-1/2" RIVER ROCK.
 - TRAFFIC CONTROLS:** ALL SIGNAGE AND PAVEMENT MARKINGS SHALL CONFORM TO THE LATEST EDITION OF THE MANUAL OF UNIFORM TRAFFIC CONTROL DEVICES (M.U.T.C.D.)
 - ADA CONFORMANCE:** ALL HANDICAPPED ACCESSIBLE RAMPS AND SIDEWALKS SHALL BE CONSTRUCTED IN CONFORMANCE WITH THE AMERICANS WITH DISABILITIES ACT (ADA) AND THE STATE OF NEW HAMPSHIRE'S ADA REASONABLE ACCOMMODATION POLICY, WHICHEVER IS, WHICHEVER IS MORE RESTRICTIVE.
- UTILITIES**
 - EXISTING UTILITIES:** THE LOCATION AND ELEVATIONS OF EXISTING UTILITIES AS SHOWN ON THESE PLANS ARE BASED ON THE SURVEY NOTED ABOVE AND SHALL BE VERIFIED BY THE CONTRACTOR PRIOR TO CONSTRUCTION AND PRIOR TO ORDERING STRUCTURES.
 - PRIVATE UTILITIES:** THE LOCATION, SIZE, DEPTH, AND SPECIFICATIONS FOR CONSTRUCTION OF PROPOSED PRIVATE UTILITY SERVICES SHALL BE IN ACCORDANCE WITH THE REQUIREMENTS PROVIDED BY, AND APPROVED BY, THE RESPECTIVE UTILITY COMPANY (GAS, TELEPHONE OR ELECTRIC). FINAL DESIGN AND LOCATIONS AT THE BUILDING WILL BE PROVIDED BY THE ARCHITECT. THE CONTRACTOR SHALL COORDINATE THE INSTALLATION OF THE UTILITY CONNECTIONS WITH THE RESPECTIVE UTILITY COMPANIES PRIOR TO ANY UTILITY CONSTRUCTION OR DEMOLITION.
 - STORM DRAINAGE:** STORM DRAIN PIPING SHALL BE HIGH DENSITY POLYETHYLENE PIPE (HDPE) WITH CORRUGATED EXTERIOR, SMOOTH LINED (n=0.013) WITH SOIL TIGHT JOINTS UNLESS OTHERWISE NOTED ON THE GRADING & DRAINAGE PLAN.
 - PROPOSED STRUCTURES:** RIM ELEVATIONS OF PROPOSED DRAINAGE MANHOLES AND ASSOCIATED STRUCTURES ARE APPROXIMATE. FINAL ELEVATIONS ARE TO BE SET FLUSH AND CONSISTENT WITH THE GRADING PLAN. ADJUST ALL OTHER RIM ELEVATIONS OF MANHOLES, WATER GATES, GAS GATES AND OTHER UTILITIES TO FINISH GRADE WITHIN LIMITS OF WORK.

AS-BUILT NOTES:

- PROJECT REQUIRED TO BE CERTIFIED BY A QUALIFIED ENGINEER TO CONFIRM THE PROJECT WAS COMPLETED IN ACCORDANCE WITH THE APPROVED PLANS OR THAT DEVIATIONS WERE MADE WHICH DID NOT REQUIRE AN AMENDED OR NEW PERMIT.

ABBREVIATIONS

BIT	BITUMINOUS	OCS	OUTLET CONTROL STRUCTURE
CB	CATCH BASIN	OE	OVERHEAD ELECTRIC
CONC	CONCRETE	PC	POINT OF CURVATURE
DH	DRILL HOLE	PCC	PRECAST CONCRETE CURB
DMH	DRAIN MANHOLE	PERF	PERFORATED
ELEV	ELEVATION	PRC	POINT OF REVERSE CURVE-CURVE
ESHGW	ESTIMATED SEASONAL HIGH GROUND WATER	PROP	PROPOSED
EXIST	EXISTING	PT	POINT OF TANGENT
FND	FOUNDATION	PVC	POLYVINYL CHLORIDE PIPE
FES	FLARED END SECTION	RCP	REINFORCED CONCRETE PIPE
GF	GARAGE FLOOR	SMH	SEWER MANHOLE
HDPE	HIGH DENSITY POLYETHYLENE PIPE	STR	STRUCTURE
HYD	HYDRANT	TYP	TYPICAL
INV	INVERT ELEVATION	VGC	VERTICAL GRANITE CURB
IP	IRON PIPE	CCB	CAPE COD BERM
IR	IRON ROD		
MAX	MAXIMUM		
MIN	MINIMUM		
NTS	NOT TO SCALE		

EXISTING	LEGEND	PROPOSED
	BUILDING	
	PROPERTY LINE	
	RIGHT-OF-WAY LINE	
	ADJACENT PROPERTY LINE	
	SETBACK LINE	
	EASEMENT LINE	
	WOOD FENCE	
	CONCRETE	
	RIP RAP	
	BIT. CONG. PAVEMENT	
	SIGN	
	BOLLARD	
	SPOT ELEVATION	
	CONTOUR	
	WATER LINE DOMESTIC	
	SANITARY SEWER	
	STORM SEWER	
	OVERHEAD ELECTRIC	
	UNDERGROUND GAS	
	UTILITY POLE	
	SANITARY MANHOLE	
	SANITARY SEWER CLEANOUT	
	STORM DRAIN MANHOLE	
	STORM DRAIN INLET	
	STORM DRAIN FLARED END SECTION	
	STORM DRAIN CLEANOUT	
	FIRE HYDRANT	
	WATER VALVE	
	TREE LINE	
	CONIFEROUS TREE	
	DECIDUOUS TREE	
	CONSTRUCTION ENTRANCE	
	SILT SACK	
	EROSION CONTROL	
	HANDICAP MARKING	
	DETECTABLE WARNING STRIP	
	STONE BOUND	

DATE	NO.	REVISIONS	BY
02/10/2021	1	09/14/2020 DES REVIEW COMMENTS	BCO
07/10/2020	1	FINAL REVIEW COMMENTS	BCO

SITE PLAN
ROUTE 103 WEST, WARNER NH,
 ASSESSOR'S MAP 35 LOTS 4-1 & 4-2

OWNER: COMET, LLC
 355 MIDDLESEX AVE, SUITE 7 WILMINGTON, MA 01887

NOTES AND LEGEND
CS0002

Ranger Engineering Group, Inc.
 13 Branch Street, Suite 101
 Methuen, MA 01844
 Tel: 978-208-1762
 rangereng.com

WARNER PLANNING BOARD CHAIRMAN:

DATE:

DATE: 2020-05-06

SCALE: 1" = 30'

SHEET 2 OF 17



B.C.O.
 2/10/21

ZONING REQUIREMENTS: C1-COMMERCIAL DISTRICT INTERVALE OVERLAY DISTRICT

	REQUIRED	PROVIDED	
		LOT 1	LOT 2
MIN. LOT AREA	40,000 SF	65,872 SF	71,965 SF
MIN. LOT FRONT	200'	205'	219'
FRONT SETBACK	40'	40'	40'
SIDE SETBACK	25'	25'	25'
MAX IMPERVIOUS AREA	70%	46%	54%

FLOOD ZONE INFORMATION

SUBJECT PARCEL IS LOCATED IN ZONES AE & X OF THE FLOOD INSURANCE RATE MAP, COMMUNITY-PANEL NUMBER 33013C287E WHICH BEARS AN EFFECTIVE DATE OF APRIL 19, 2010. FEMA FLOOD ELEVATION WAS DETERMINED BY FIELD SURVEY PERFORMED BY RANGER ENGINEERING GROUP. FLOODWAY LINE WAS TRACED FROM THE ABOVE REFERENCED FEMA MAP.

SURVEY NOTES

1. THE LOCUS IS SHOWN ON TOWN OF WARNER ASSESSOR'S MAP 35 LOTS 4-1, 4-2, AND 4-3, LOCATED IN ZONING DISTRICT C1 COMMERCIAL AND IS KNOWN AS 9 ROUTE 103 WEST.
2. DEED REFERENCE: BOOK 3579 PAGE 98, MERRIMACK COUNTY REGISTRY OF DEEDS.
3. THE LOCATIONS OF EXISTING UNDERGROUND UTILITIES ARE SHOWN IN AN APPROXIMATE WAY ONLY AND HAVE NOT BEEN INDEPENDENTLY VERIFIED BY THE OWNER OR ITS REPRESENTATIVE.
4. THE BASIS OF BEARING FOR THIS PLAN IS THE NEW HAMPSHIRE STATE PLANE COORDINATES
5. WETLANDS DELINEATED BY J. P. HAYES III CWS #18 IN ACCORDANCE WITH NEW HAMPSHIRE WETLANDS BUREAU REQUIREMENTS AND THE US ARMY CORPS OF ENGINEERS 1987 WETLAND DELINEATION MANUAL.
6. NHDOT DRIVEWAY ACCESS PERMIT PENDING

REFERENCE DEEDS:

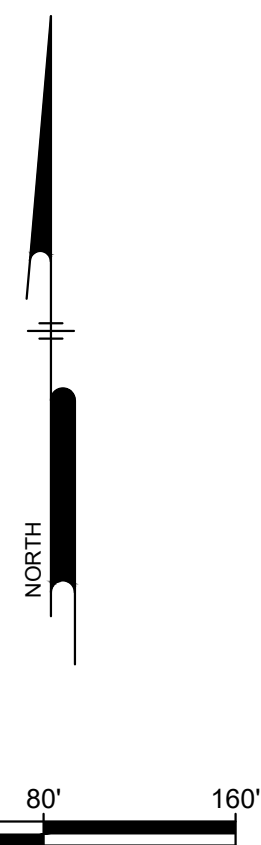
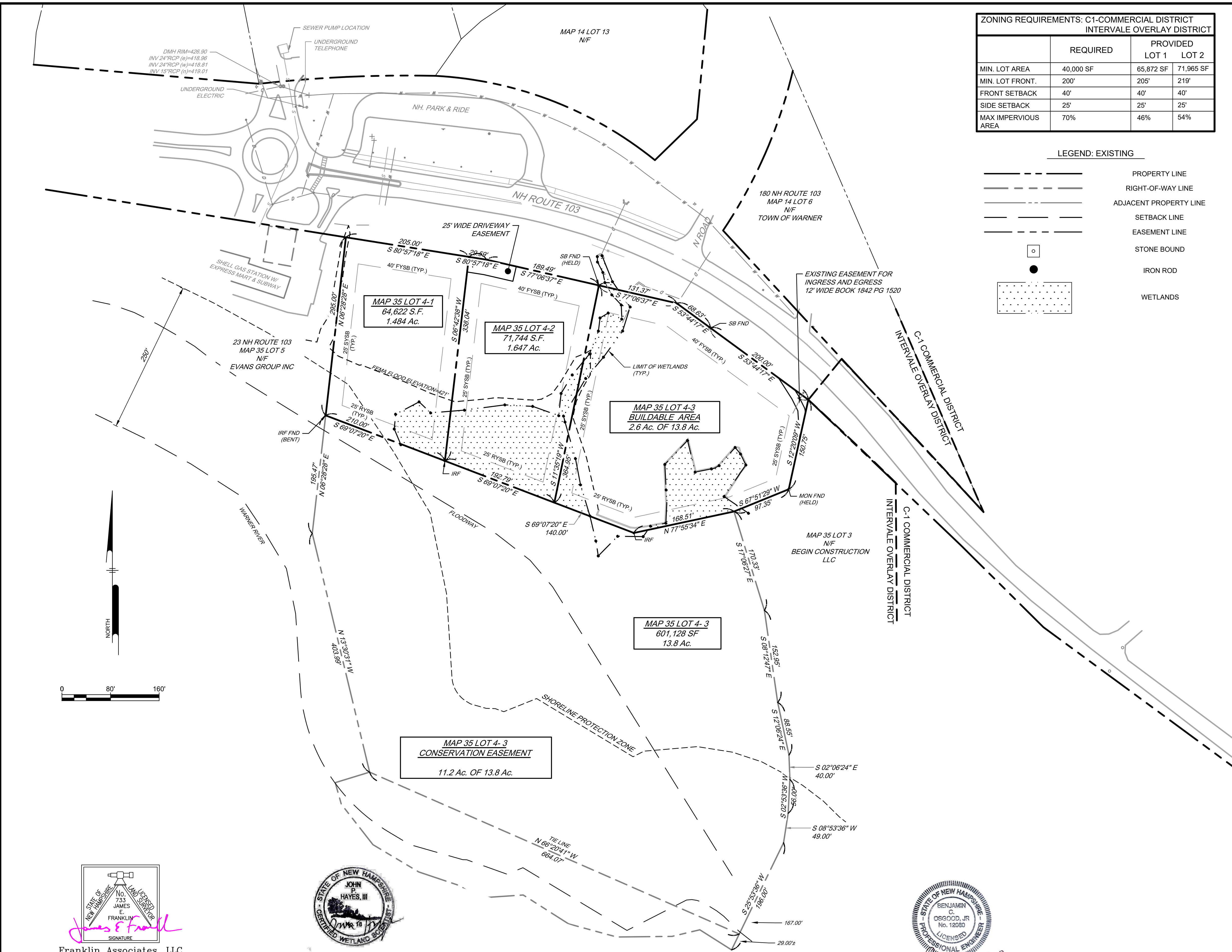
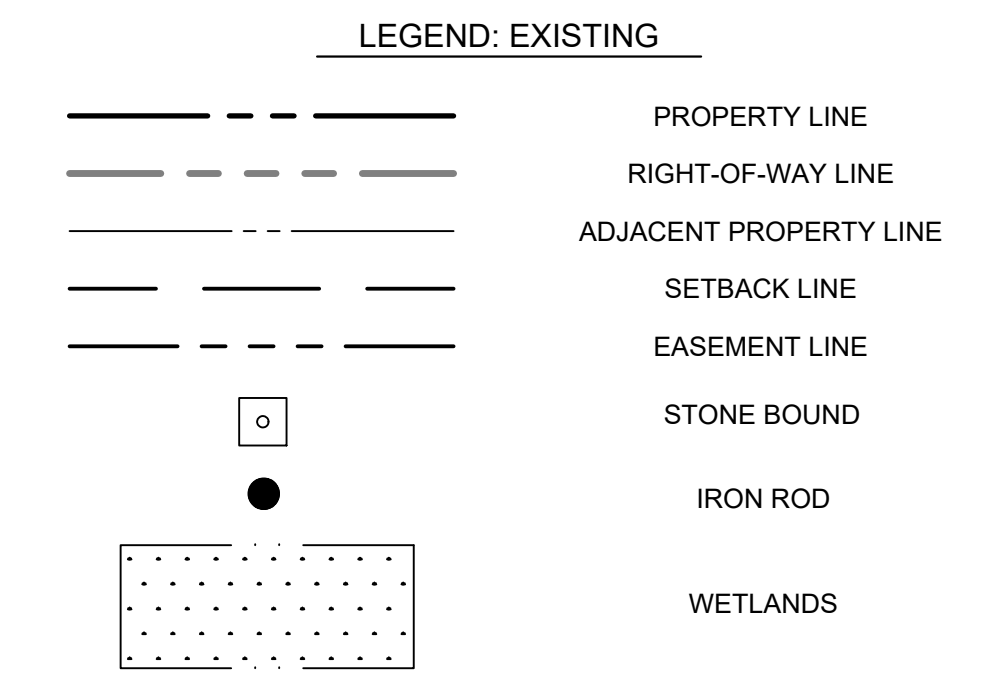
1. BOOK 3579 PAGE 98 MERRIMACK COUNTY REGISTRY OF DEEDS

REFERENCE PLANS:

1. PLAN 16243
2. PLAN 11670
3. PLAN 7757
4. PLAN 307
5. STATE OF NEW HAMPSHIRE DEPARTMENT OF PUBLIC WORKS AND HIGHWAYS PLANS OF PROPOSED FEDERAL AID PROJECT I-89-I(57)19 N.H. PROJECT NO. P-7407-C INTERSTATE ROUTE I-89 SHEETS 76, 77, 80, & 81 ON FILE AT THE NEW HAMPSHIRE DEPARTMENT OF TRANSPORTATION

EASEMENTS AND ENCUMBRANCES:

- EXISTING CONSERVATION EASEMENT
BOOK 2547 PAGE 1295
PLAN 16243
- EXISTING DRIVEWAY EASEMENT
BOOK 1842 PAGE 1520
PLAN 16243
- EXISTING INGRESS/EGRESS EASEMENT
BOOK 1842 PAGE 1520
PLAN 16243



DATE	NO.	REVISIONS	BY
02/10/2021	1	09/14/2020 DES REVIEW COMMENTS	BCO
07/10/2020	1	FINAL REVIEW COMMENTS	BCO

SITE PLAN
ROUTE 103 WEST, WARNER NH,
ASSESSOR'S MAP 35 LOTS 4-1 & 4-2

OWNER: COMET, LLC
355 MIDDLESEX AVE, SUITE 7 WILMINGTON, MA 01887

EXISTING CONDITIONS PLAN
CS0201

Ranger Engineering Group, Inc.
13 Branch Street, Suite 101
Methuen, MA 01844
Tel: 978-208-1762
rangereng.com

Franklin Associates, LLC
Land Surveyors & Septic System Designers
143 Raymond Road, Unit 4
Candia, New Hampshire 03034
603-483-3096

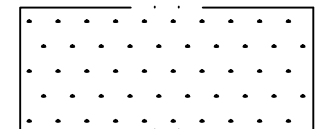
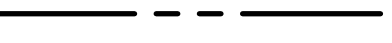

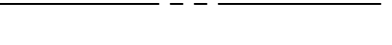



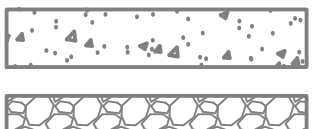
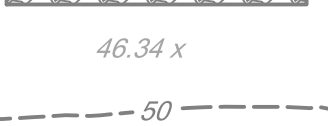











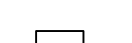
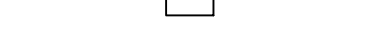




Signature: James S. Franklin
Professional Engineer License No. 733

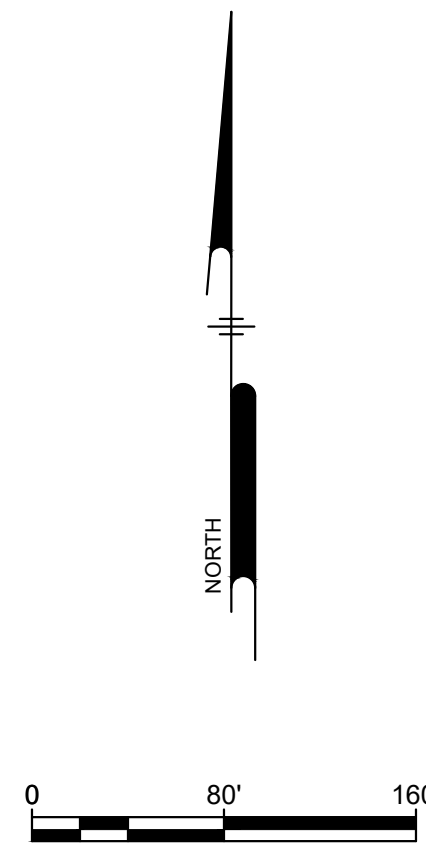
WETLANDS DELINEATED BY J. P. HAYES III CWS #18 IN ACCORDANCE WITH NEW HAMPSHIRE WETLANDS BUREAU REQUIREMENTS AND THE US ARMY CORPS OF ENGINEERS 1987 WETLAND DELINEATION MANUAL.

Professional Engineer Seal for Benjamin S. Osgood, Jr., License No. 12080, dated 2/10/21.

WARNER PLANNING BOARD CHAIRMAN: _____
DATE: _____

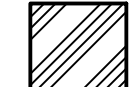

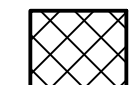
LEGEND: EXISTING

-  WETLANDS
-  PROPERTY LINE
-  RIGHT-OF-WAY LINE
-  ADJACENT PROPERTY LINE
-  SETBACK LINE
-  EASEMENT LINE
-  WOOD FENCE
-  CONCRETE
-  RIP RAP
-  SPOT ELEVATION
-  CONTOUR
-  WATER LINE DOMESTIC
-  STORM SEWER
-  OVERHEAD ELECTRIC
-  UNDERGROUND GAS
-  UTILITY POLE
-  SANITARY MANHOLE
-  STORM DRAIN MANHOLE
-  STORM DRAIN INLET
-  FIRE HYDRANT
-  WATER VALVE
-  TREE LINE
-  STONE BOUND
-  IRON ROD
-  TEST PIT
-  TRAVERSE POINT



- NOTES:
- SEE SHEET 7, CS1501 FOR TEST PIT INFORMATION
 - WETLANDS DELINEATED BY J. P. HAYES III CWS #18 IN ACCORDANCE WITH NEW HAMPSHIRE WETLANDS BUREAU REQUIREMENTS.

PROPOSED EASEMENTS

-  ACCESS EASEMENT
9275 SF
-  UTILITY EASEMENT
8857 SF
-  DRAINAGE EASEMENT
16471 SF

DATE	NO.	REVISIONS	BY
02/10/2021	1	09/14/2020 DES REVIEW COMMENTS	BCO
07/10/2020	1	FINAL REVIEW COMMENTS	BCO

SITE PLAN
ROUTE 103 WEST, WARNER NH,
 ASSESSOR'S MAP 35 LOTS 4-1 & 4-2

OWNER: COMET, LLC
 355 MIDDLESEX AVE, SUITE 7 WILMINGTON, MA 01887

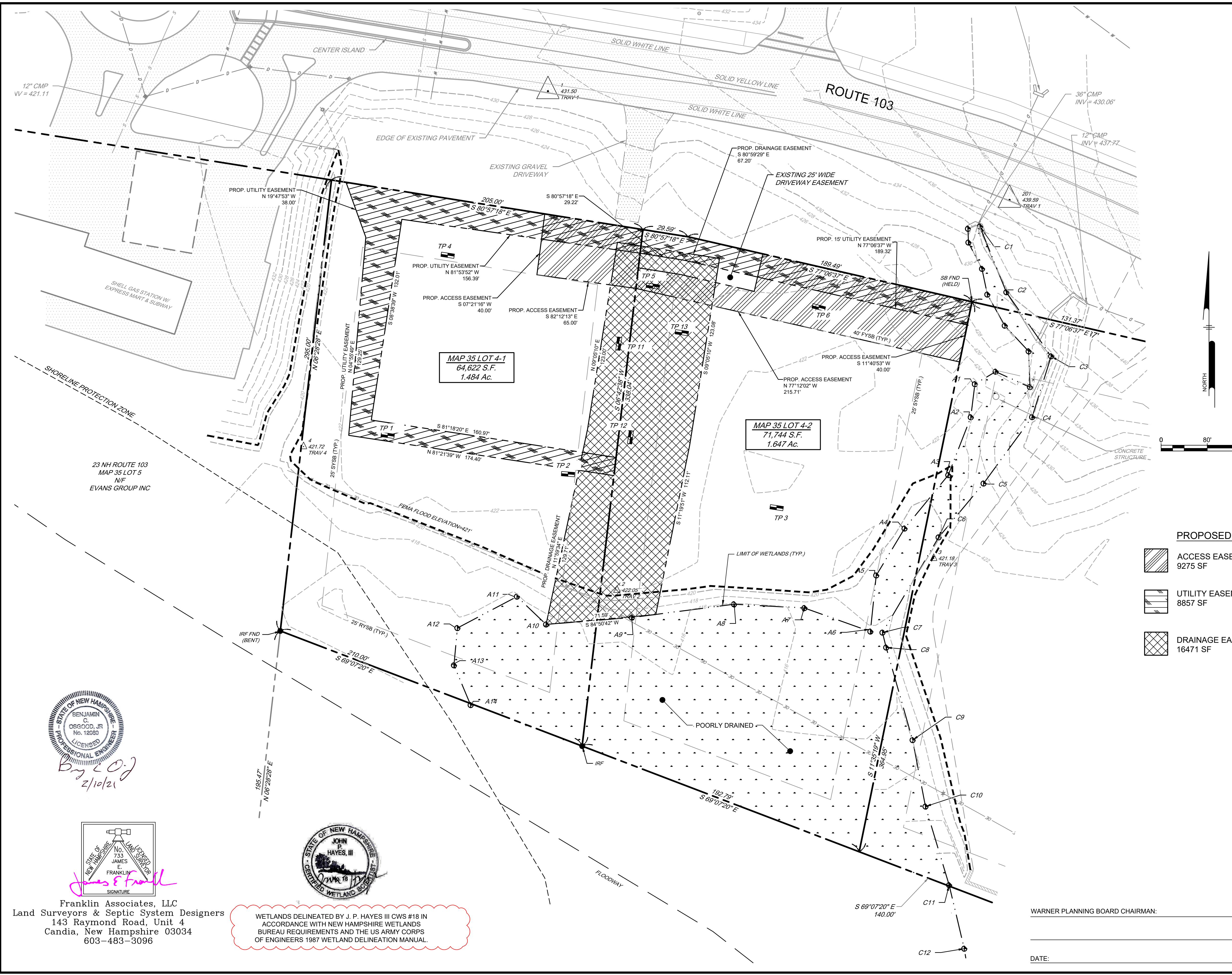
EXISTING CONDITIONS PLAN - SITE VIEW
 CS0202



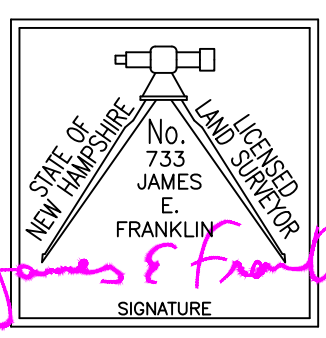
Ranger Engineering Group, Inc.
 13 Branch Street, Suite 101
 Methuen, MA 01844
 Tel: 978-208-1762
 rangereng.com

WARNER PLANNING BOARD CHAIRMAN: _____

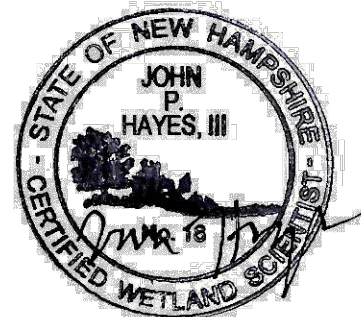
DATE: _____



B.G. Osgood, Jr.
2/10/21



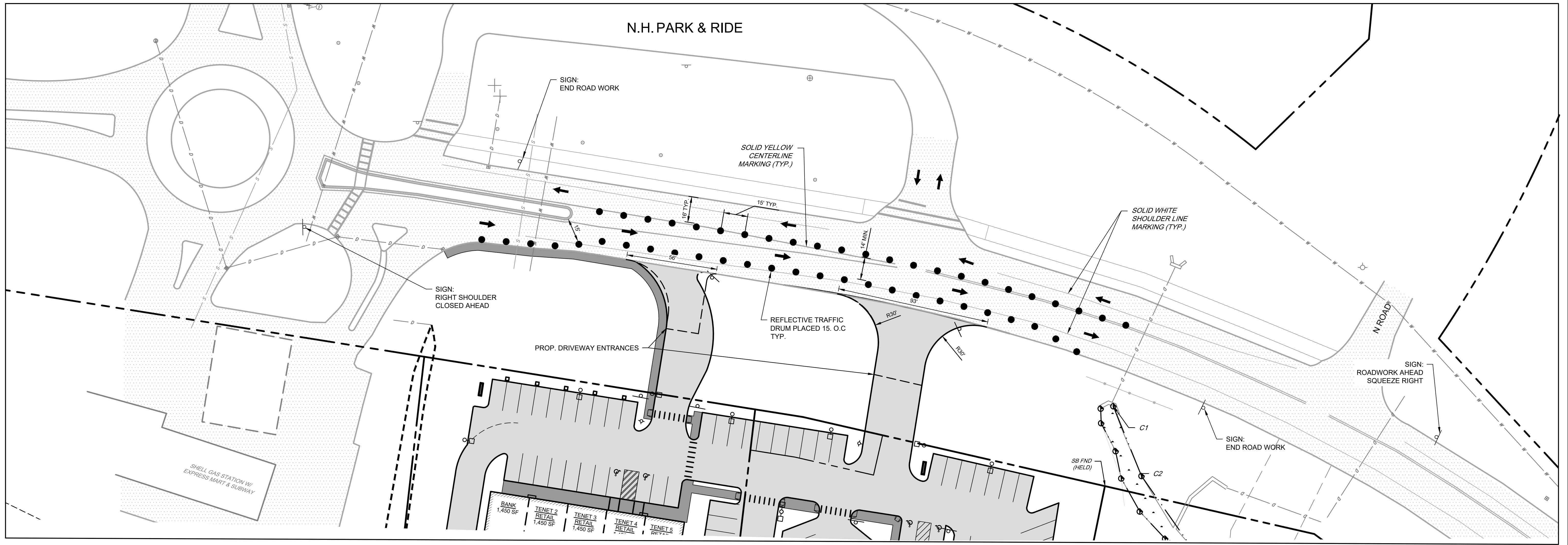
Franklin Associates, LLC
 Land Surveyors & Septic System Designers
 143 Raymond Road, Unit 4
 Candia, New Hampshire 03034
 603-483-3096



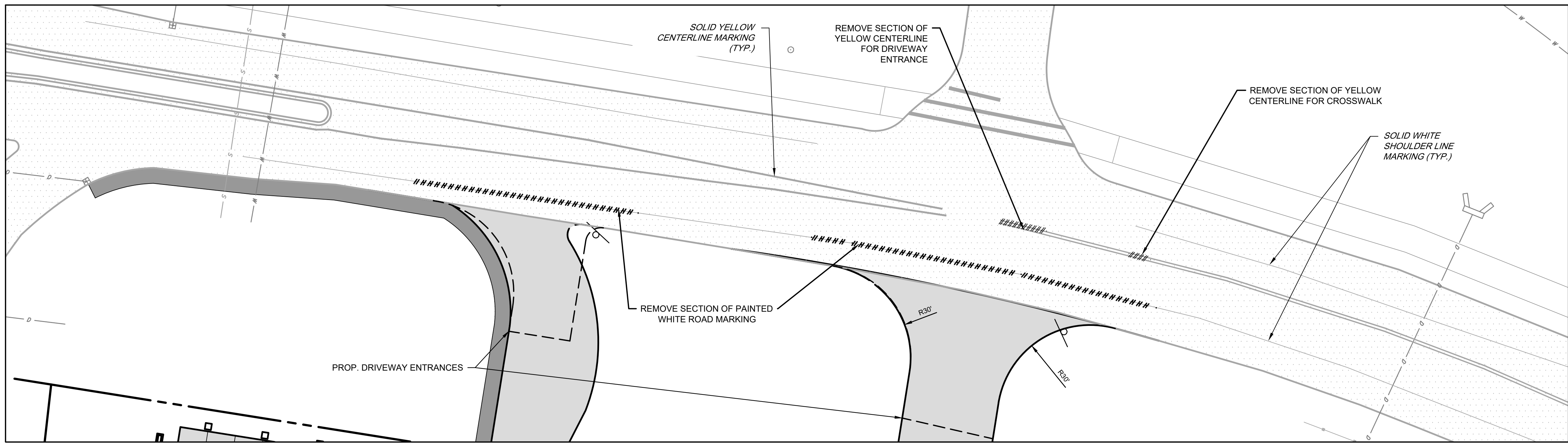
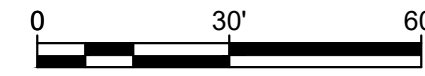
WETLANDS DELINEATED BY J. P. HAYES III CWS #18 IN ACCORDANCE WITH NEW HAMPSHIRE WETLANDS BUREAU REQUIREMENTS AND THE US ARMY CORPS OF ENGINEERS 1987 WETLAND DELINEATION MANUAL.

PLOTTED: 2/10/2021 11:53 AM BY: Olf Render PLOTSTYLE: T11ENCS.dwg PROJECT STATUS: ---
 C:\PROJECTS\CIBC_CHANNEL BUILDING\9-104 - Warner IND DESIGN_PUBLISH\ANSI\CS0202.dwg

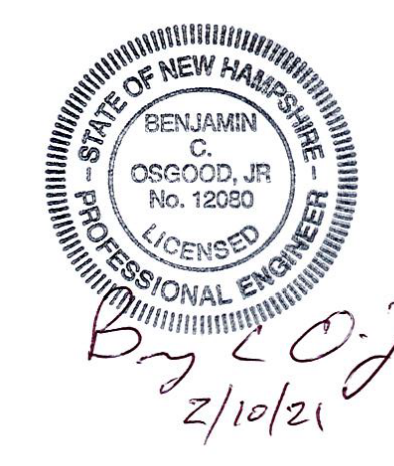
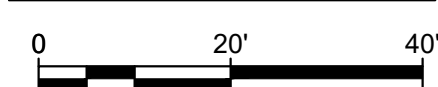
N.H. PARK & RIDE



TRAFFIC MANAGEMENT PLAN DURING DRIVEWAY ENTRANCE CONSTRUCTION



PAVEMENT MARKING PLANVIEW



DATE	NO.	REVISIONS	BY
02/10/2021	1	09/14/2020 DES REVIEW COMMENTS	BCO
07/10/2020	1	FINAL REVIEW COMMENTS	BCO

SITE PLAN
ROUTE 103 WEST, WARNER NH,
 ASSESSOR'S MAP 35 LOTS 4-1 & 4-2

OWNER: COMET, LLC
 355 MIDDLESEX AVE, SUITE 7 WILMINGTON, MA 01887

TRAFFIC CONTROL & DEMO PLAN
CS0501

Ranger Engineering Group, Inc.
 13 Branch Street, Suite 101
 Methuen, MA 01844
 Tel: 978-208-1762
 rangereng.com

WARNER PLANNING BOARD CHAIRMAN:

DATE:

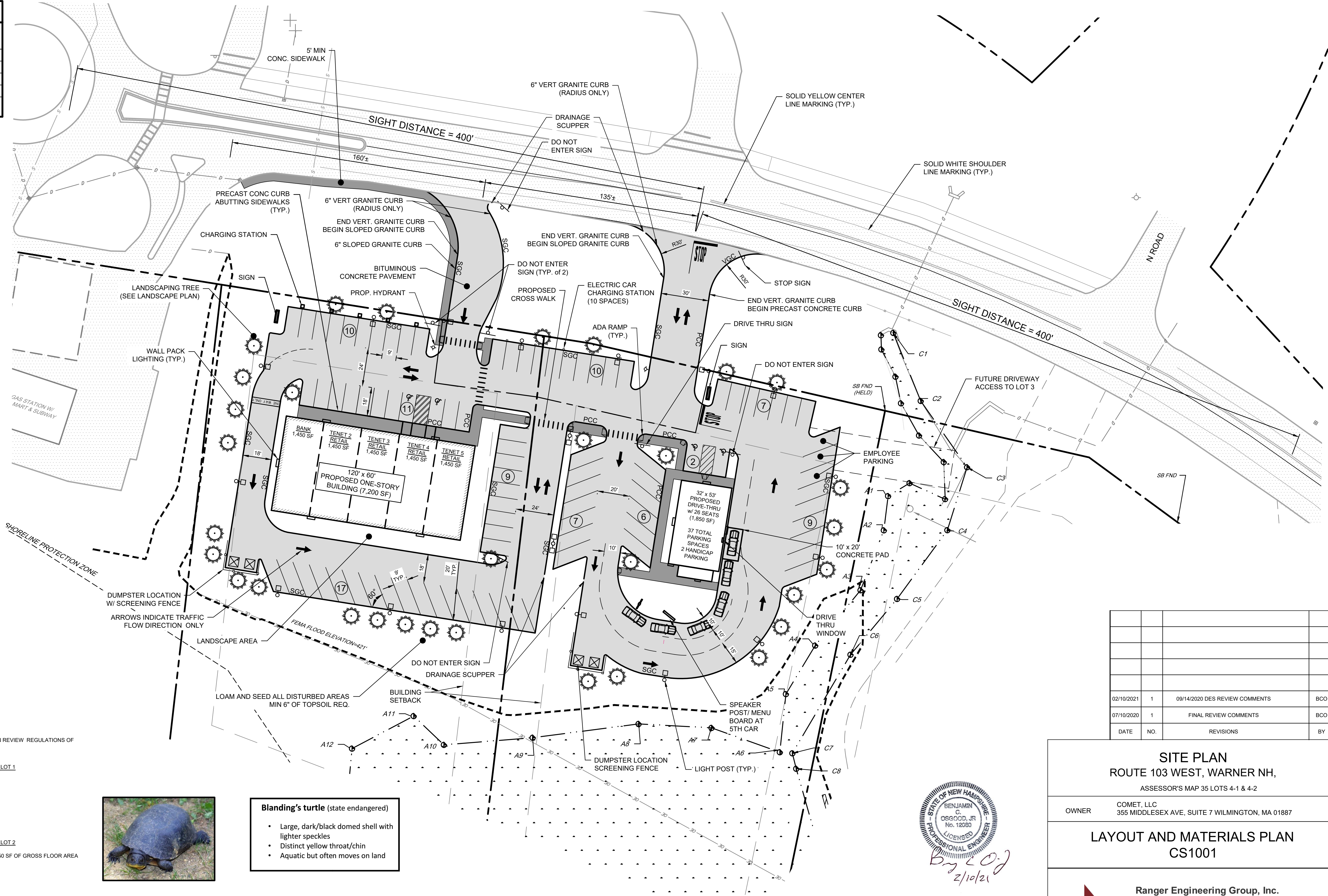
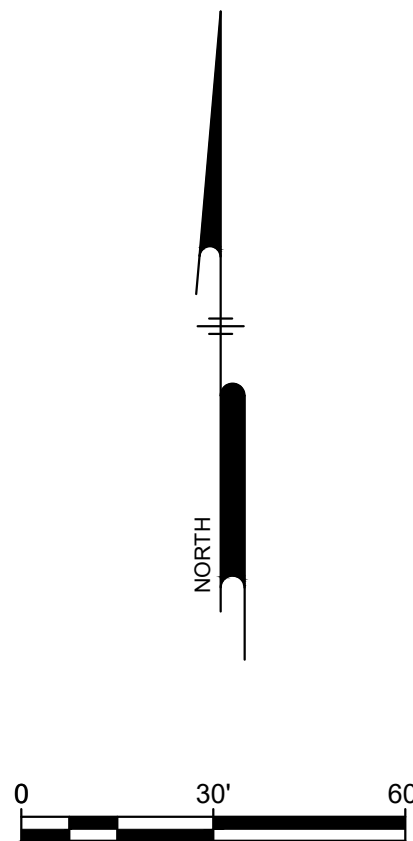
PLOTTED: 2/10/2021 11:53 AM BY: Orlan Rowley PLOT STYLE: T11ENRCS.dwg PROJECT STATUS: ---
 C:\KIPROJECTS\CHBC_CHANNEL BUILDING\9-104 - Warner NH DESIGN_PUBLISH\PAANSET\CS0501.dwg

ZONING REQUIREMENTS: C1-COMMERCIAL DISTRICT INTERVALE OVERLAY DISTRICT

	REQUIRED	PROVIDED LOT 1	PROVIDED LOT 2
MIN. LOT AREA	40,000 SF	65,872 SF	71,965 SF
MIN. LOT FRONT	200'	205'	219'
FRONT SETBACK	40'	40'	40'
SIDE SETBACK	25'	25'	25'
MAX IMPERVIOUS AREA	70%	46%	54%

SIGN NOTES:

1. EACH PREMISE / LOT MAY HAVE 1 FREE STANDING SIGN, NO TALLER THAN 15 FEET IN HEIGHT, AND BE NO MORE THAN 24 SQUARE FEET IN AREA.
2. SIGNS SHALL HAVE A MAX COMBINED TOTAL AREA OF NOT MORE THAN 64 SQUARE FEET IN SURFACE AND/OR IMAGE AREA PER PREMISE / LOT.
3. FREE STANDING SIGNS SHALL BE SETBACK NOT LESS THAN 10 FEET FROM ANY PROPERTY LINES.



PARKING CALCULATION:

PER SECTION XIX.B TABLE OF OFF-STREET PARKING REQUIREMENT OF THE SITE PLAN REVIEW REGULATIONS OF THE TOWN OF WARNER:

PARKING REQUIRED _____ **LOT 1**

RETAIL (MEDIUM VOLUME): 1 SPACE PER 250 SF
1 SPACE PER 250 SF @ 7,200 SF = 29 SPACES

TOTAL REQUIRED = 29 SPACES
TOTAL PROVIDED = 47 SPACES

PARKING REQUIRED _____ **LOT 2**

DRIVE-THRU RESTAURANT: 1 SPACE PER 3 SEATS + 1 PER EMPLOYEE + 1 SPACE PER 50 SF OF GROSS FLOOR AREA
1 SPACE PER 3 SEATS @ 24 SEATS = 8 SPACES
1 SPACE PER EMPLOYEE @ 6 EMPLOYEES = 6 SPACES
1 SPACE PER 50 SF OF GROSS FLOOR AREA @ 1850 GSF = 37
TOTAL SPACES REQUIRED = 51

TOTAL REQUIRED = 51 SPACES
TOTAL PROVIDED = 41 SPACES



Blanding's turtle (state endangered)

- Large, dark/black domed shell with lighter speckles
- Distinct yellow throat/chin
- Aquatic but often moves on land



Spotted turtle (state threatened)

- Small, mostly aquatic with black or dark brown with yellow spots.
- Fairly flat shell compared to Blanding's turtle

IF SPOTTED OR BLANDING'S TURTLES ARE FOUND LAYING EGGS IN A WORK AREA, PLEASE CONTACT MELISSA DOPERALSKI (603-479-1129 cell) or JOSH MEGYESY (cell 978-578-0802 or 271-1125 office) FOR FURTHER INSTRUCTIONS

DATE	NO.	REVISIONS	BY
02/10/2021	1	09/14/2020 DES REVIEW COMMENTS	BCO
07/10/2020	1	FINAL REVIEW COMMENTS	BCO

SITE PLAN
ROUTE 103 WEST, WARNER NH,
ASSESSOR'S MAP 35 LOTS 4-1 & 4-2

OWNER: COMET, LLC
355 MIDDLESEX AVE, SUITE 7 WILMINGTON, MA 01887

LAYOUT AND MATERIALS PLAN
CS1001



Ranger Engineering Group, Inc.
13 Branch Street, Suite 101
Methuen, MA 01844
Tel: 978-208-1762
rangereng.com

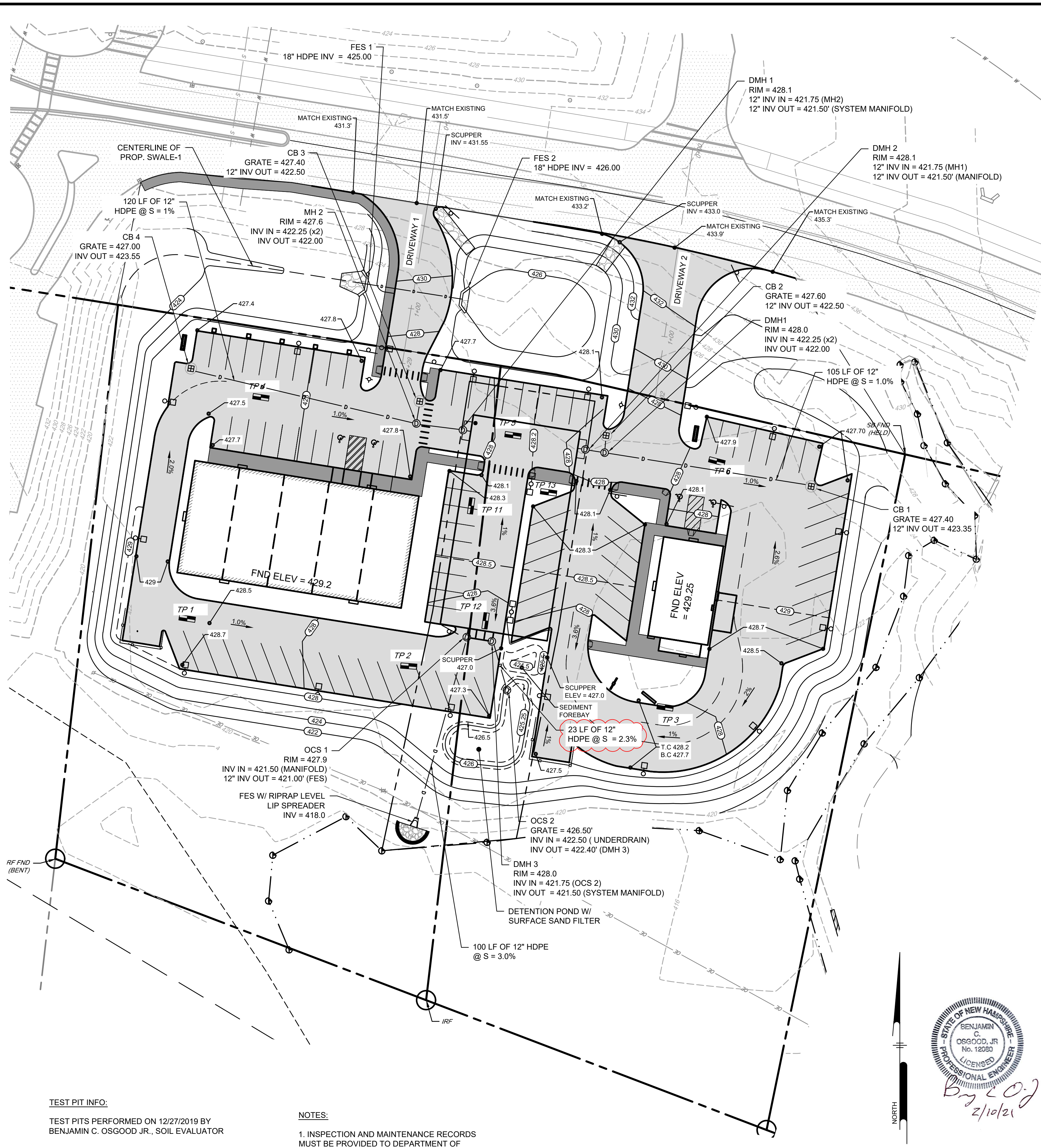
WARNER PLANNING BOARD CHAIRMAN:

DATE:

DATE: 2020-05-06

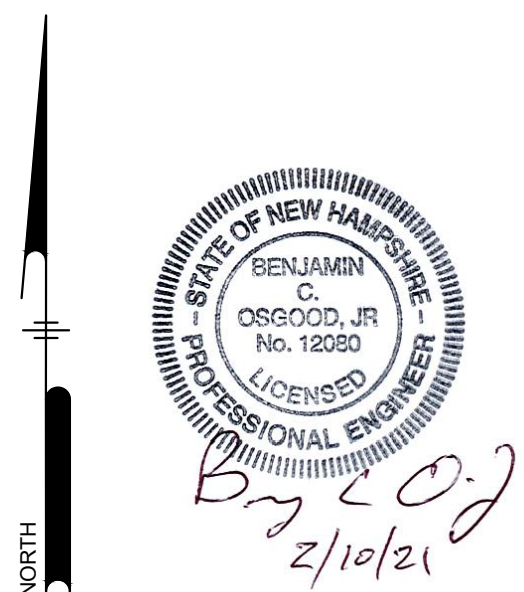
SCALE: 1" = 30'

SHEET 6 OF 17



TEST PIT INFO:
 TEST PITS PERFORMED ON 12/27/2019 BY
 BENJAMIN C. OSGOOD JR., SOIL EVALUATOR

NOTES:
 1. INSPECTION AND MAINTENANCE RECORDS
 MUST BE PROVIDED TO DEPARTMENT OF
 ENVIRONMENTAL SERVICES UPON REQUEST



TOP ELEV 422.25' ESHGW 414.75'

TP1				
DEPTH	HORIZON	TEXTURE	COLOR	MOTTLING
0-33"	FILL 1			
33-90"	FILL 2			
90-102"	B	S.L	10YR 4/6	
102-108"	C	FS	7.5YR 3/3	

WEEPING @ 90°

TOP ELEV 422.4' ESHGW 416.4'

TP2				
DEPTH	HORIZON	TEXTURE	COLOR	MOTTLING
0-44"	FILL 1			
44-72"	FILL 2			
72-90"	B	L.S	10YR 4/6	
90-96"	C	G.S	7.5YR 3/3	

REDOX @ 72"

TOP ELEV 421.8' ESHGW 414.3'

TP3				
DEPTH	HORIZON	TEXTURE	COLOR	MOTTLING
0-36"	FILL 1			
36-90"	FILL 2			
90-96"	B	L.S	10YR 4/6	
96-112"	C	G.S	7.5YR 3/3	

REDOX @ 90"

TOP ELEV 422.75' ESHGW 415.9'

TP4				
DEPTH	HORIZON	TEXTURE	COLOR	MOTTLING
0-73"	FILL			
73-108"	B	L.S	10YR 4/6	
108-130"	C	G.S	7.5YR 3/3	

ESHGW @ 75"

TOP ELEV 422.8' ESHGW 416.55'

TP5				
DEPTH	HORIZON	TEXTURE	COLOR	MOTTLING
0-75"	FILL			
75-96"	C	G.S	7.5YR 3/3	

ESHGW @ 75"

TOP ELEV 423.25' ESHGW N/A

TP6				
DEPTH	HORIZON	TEXTURE	COLOR	MOTTLING
0-60"	FILL			
60-120"	FILL 2	SILTY CLAY LOAM W/ HIGH ORGANIC CONTENT		
120-123"	C	G.S	7.5YR 3/3	

ESHGW N/A

TOP ELEV 422.5' ESHGW 415.0'

TP11				
DEPTH	HORIZON	TEXTURE	COLOR	MOTTLING
0-2"	O			
2-38"	FILL 1			
38-42"	FILL 2			
42-44"	OLD P/MT			
44-60"	FILL 3	GRAVELLY SAND		
60-72"	FILL 4	MED. SAND		
72-90"	OLD A/B			
90-120"	C	COURSE SAND	2.5Y 4/4	

PONDING @ 90°

TOP ELEV 422.5' ESHGW 414.5'

TP12				
DEPTH	HORIZON	TEXTURE	COLOR	MOTTLING
0-30"	FILL 1			
30-80"	FILL 2			
80-96"	OLD A/B			
96-120"	C	G.S	10YR 2/2	

TOP ELEV 423.00' ESHGW 415.50

TP13				
DEPTH	HORIZON	TEXTURE	COLOR	MOTTLING
0-84"	FILL			
84-90"	OLD A			
90-120"	C	COURSE SAND	2.5Y 4/4	

IN-SITU CONDUCTIVITY TEST DONE @ 90°

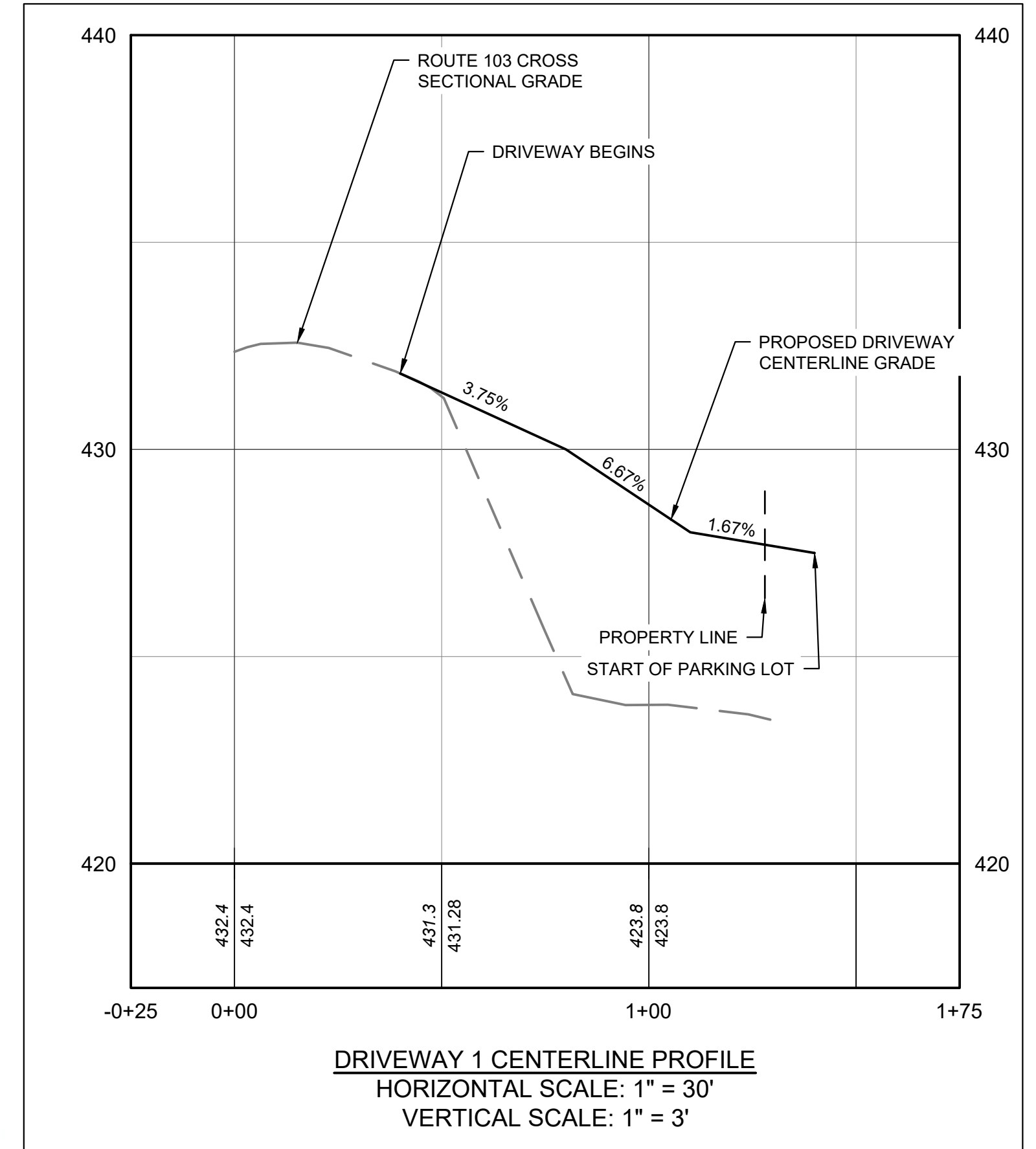
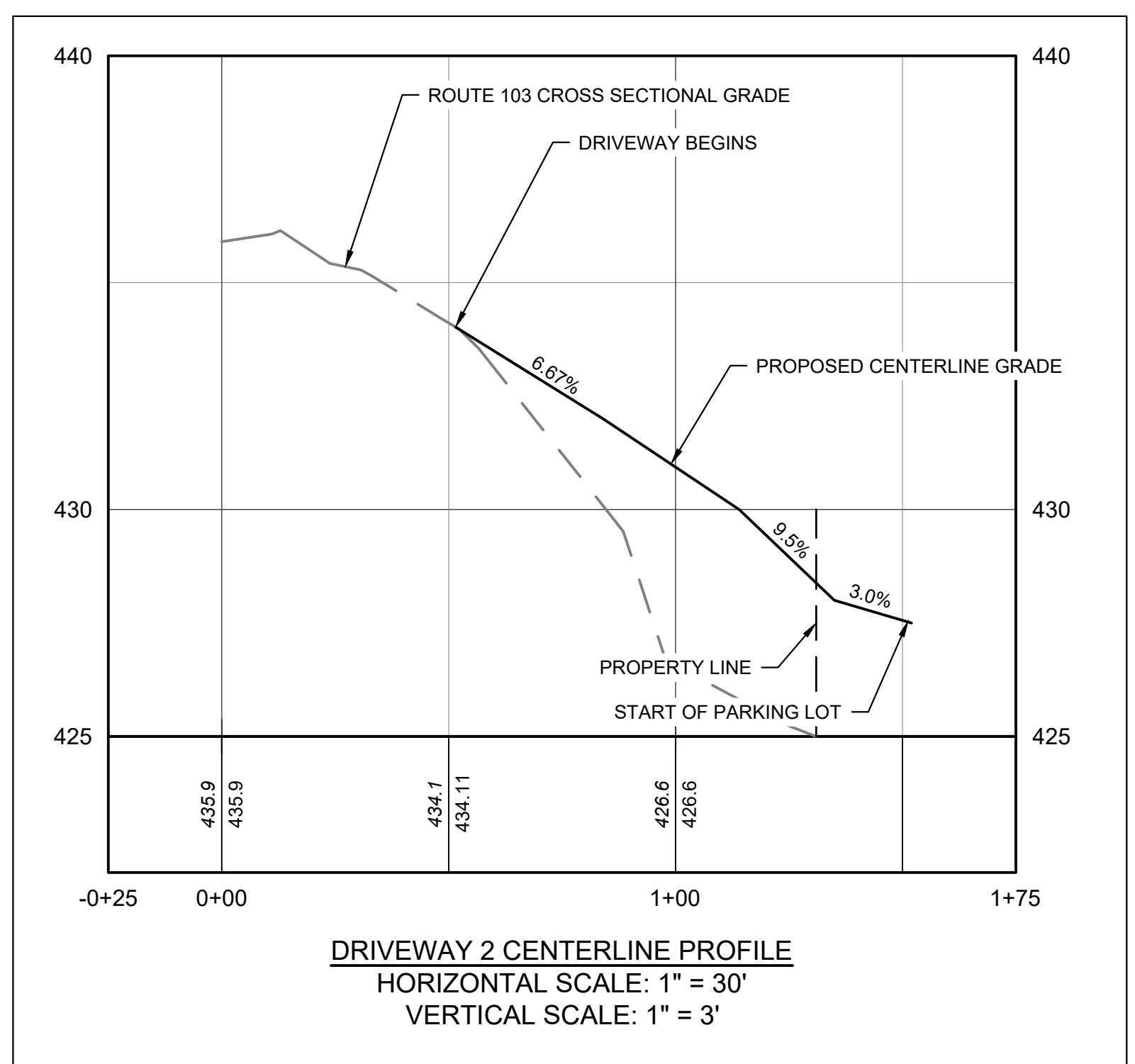
DATE	NO.	REVISIONS	BY
02/10/2021	1	09/14/2020 DES REVIEW COMMENTS	BCO
07/10/2020	1	FINAL REVIEW COMMENTS	BCO

SITE PLAN
 ROUTE 103 WEST, WARNER NH,
 ASSESSOR'S MAP 35 LOTS 4-1 & 4-2

OWNER: COMET, LLC
 355 MIDDLESEX AVE, SUITE 7 WILMINGTON, MA 01887

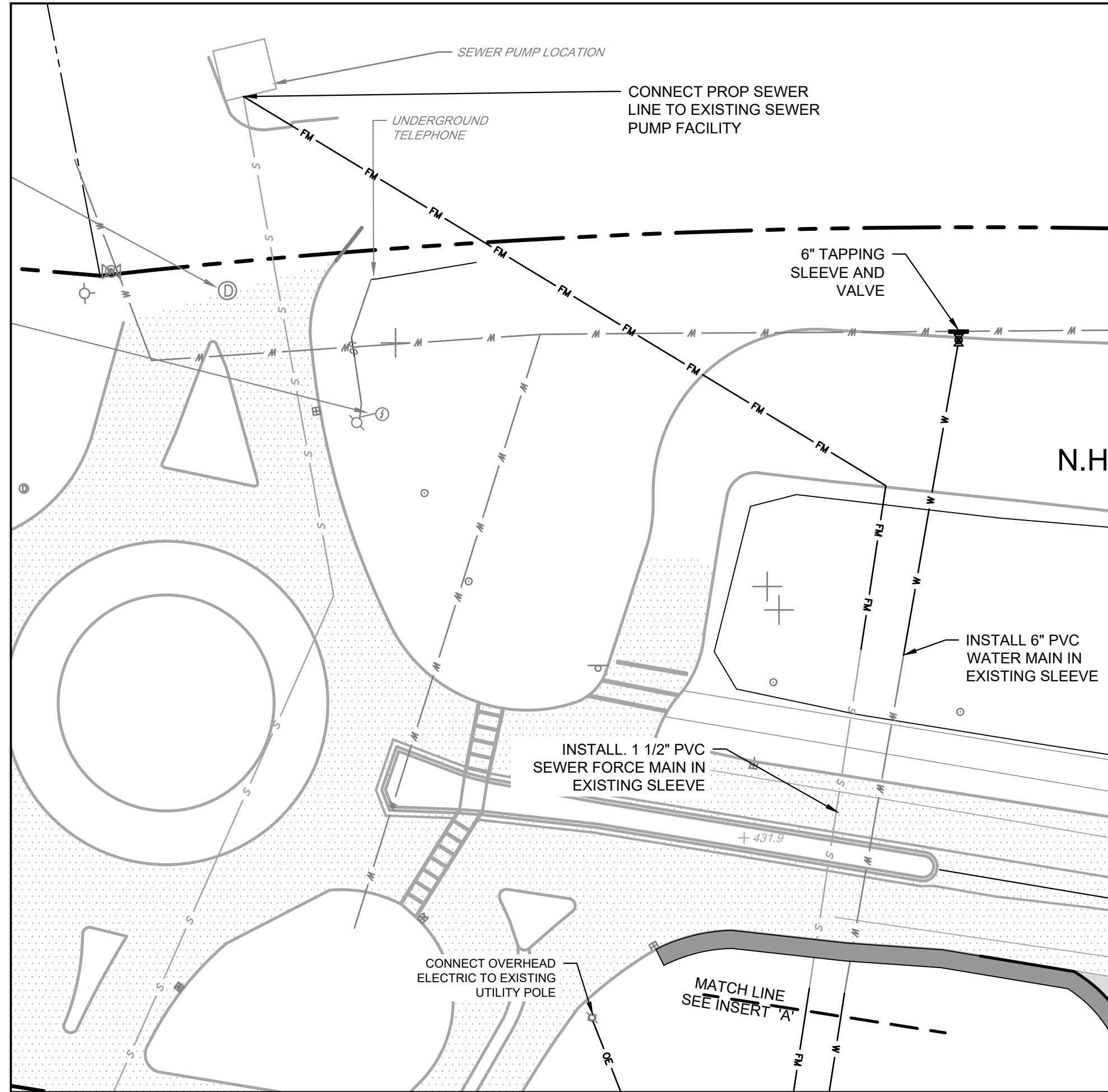
GRADING AND DRAINAGE PLAN
 CS1501

Ranger Engineering Group, Inc.
 13 Branch Street, Suite 101
 Methuen, MA 01844
 Tel: 978-208-1762
 rangereng.com

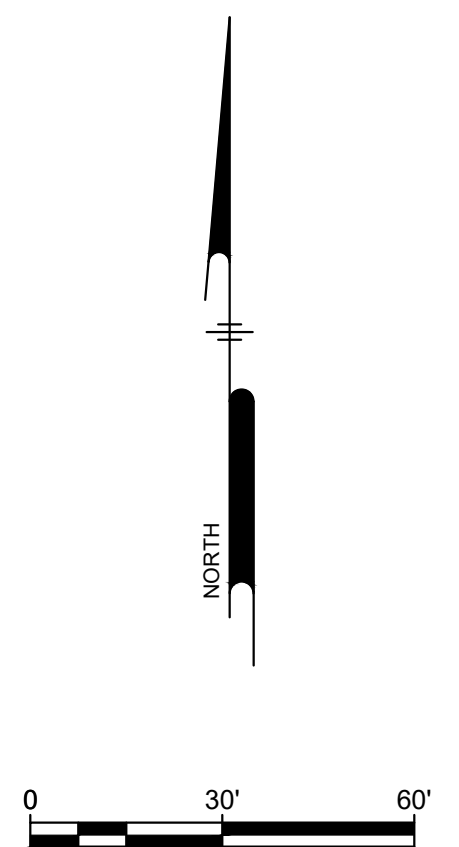
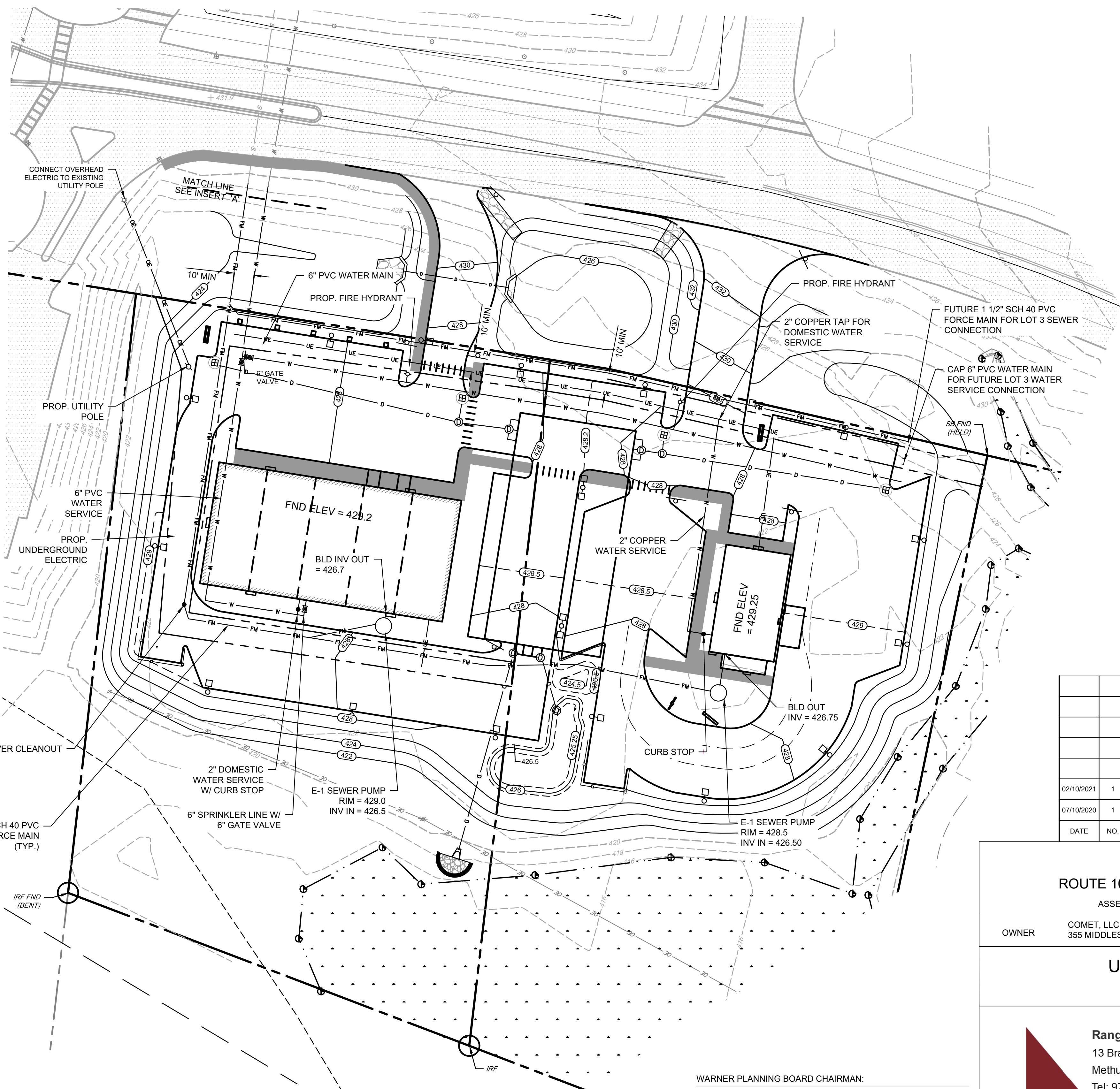


WARNER PLANNING BOARD CHAIRMAN:

DATE:



INSERT 'A': SEWER AND WATER TIE IN



DATE	NO.	REVISIONS	BY
02/10/2021	1	09/14/2020 DES REVIEW COMMENTS	BCO
07/10/2020	1	FINAL REVIEW COMMENTS	BCO

SITE PLAN
ROUTE 103 WEST, WARNER NH,
 ASSESSOR'S MAP 35 LOTS 4-1 & 4-2

OWNER: COMET, LLC
 355 MIDDLESEX AVE, SUITE 7 WILMINGTON, MA 01887

UTILITY PLAN
CS1701

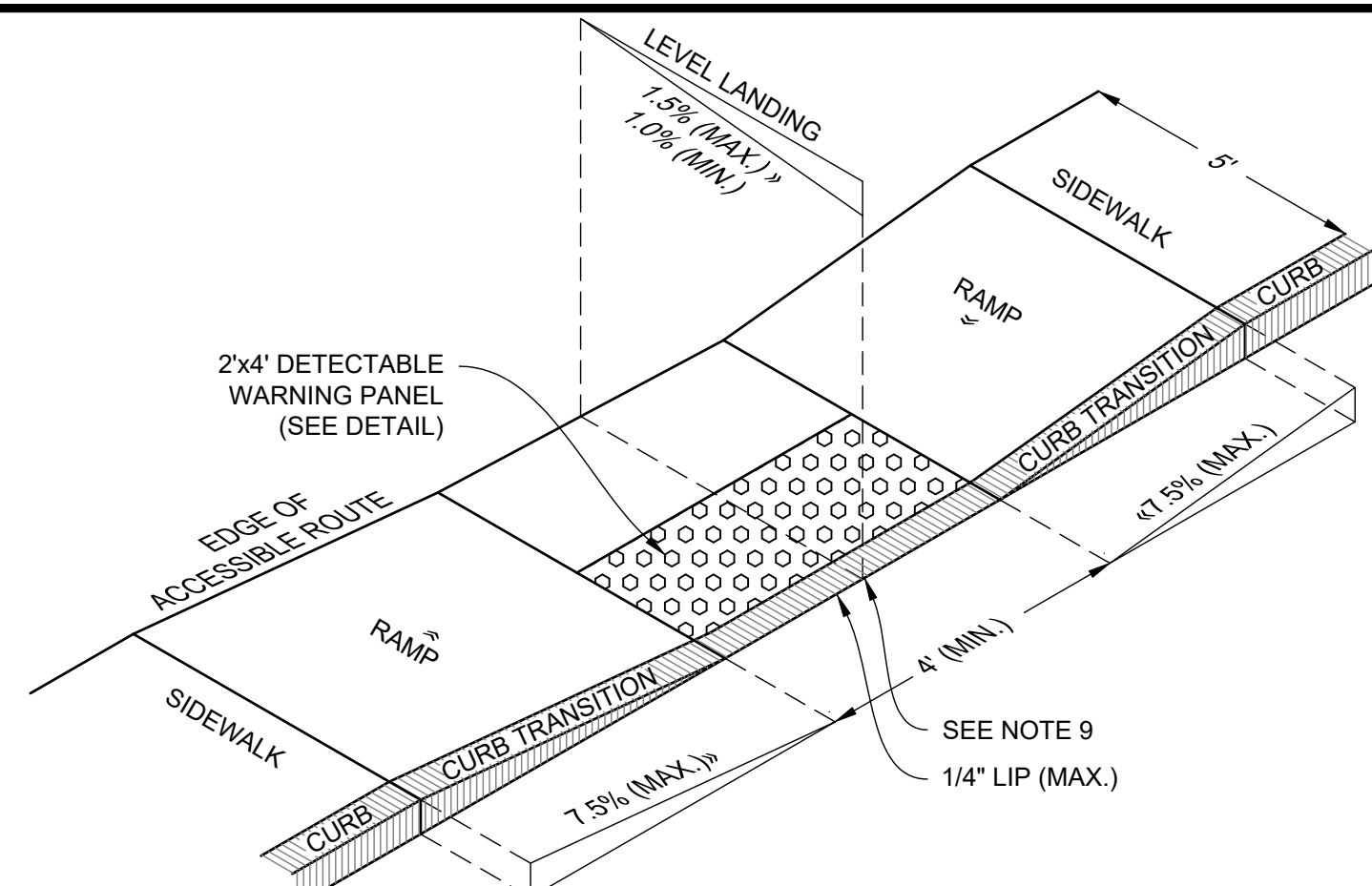
Ranger Engineering Group, Inc.
 13 Branch Street, Suite 101
 Methuen, MA 01844
 Tel: 978-208-1762
 rangereng.com

WARNER PLANNING BOARD CHAIRMAN:

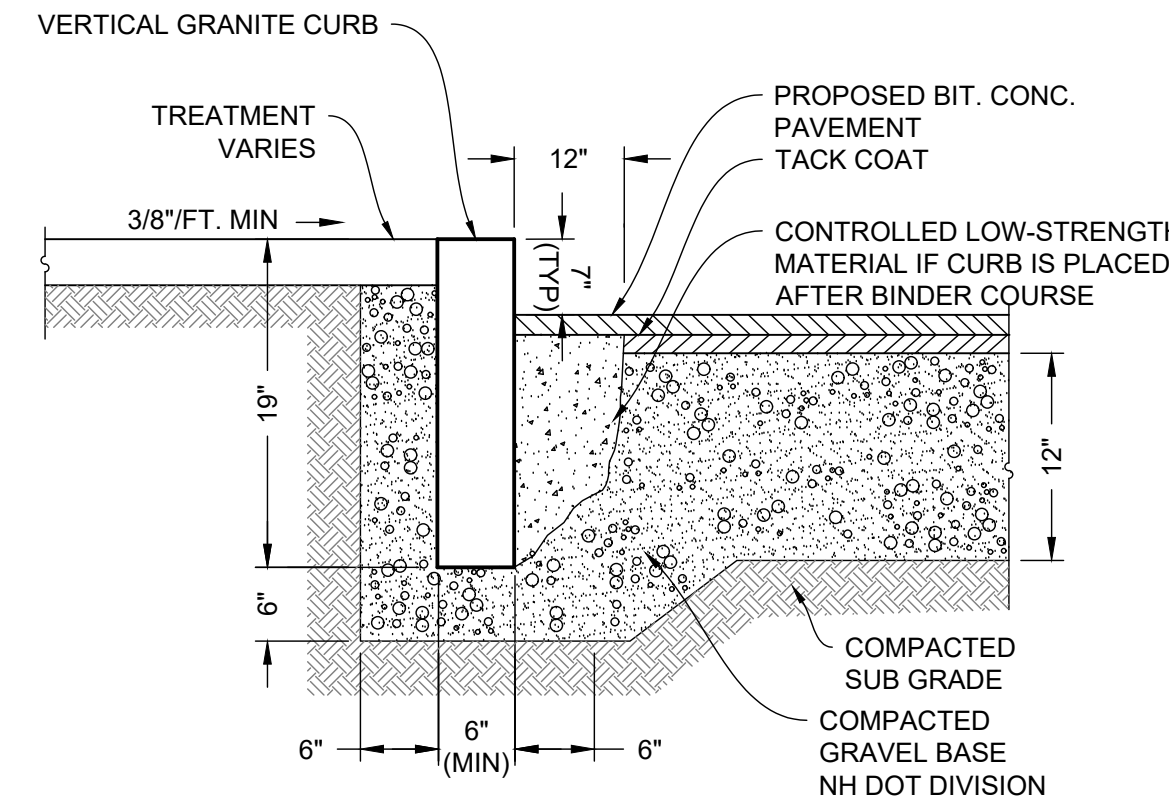
DATE:



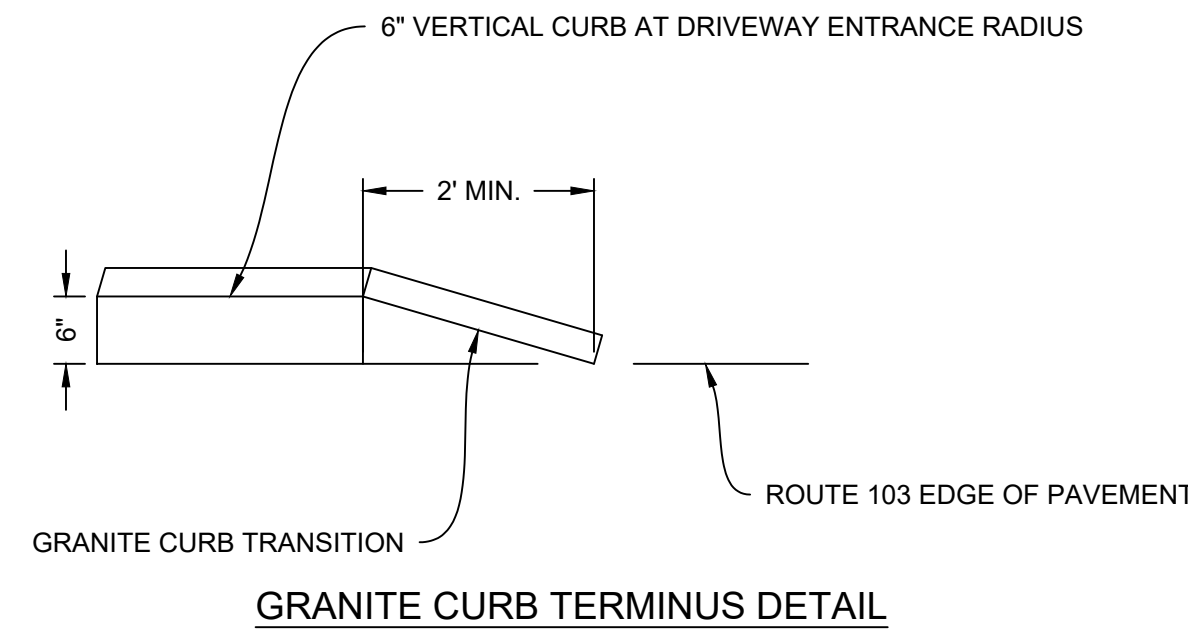
PLOTTED: 2/10/2021 11:54 AM BY: Orlin Romer PLOTSTYLE: T1ENVCES.dwg PROJECT STATUS: ---
 C:\PROJECTS\CHBC_CHANNEL BUILDING\9-104 - Warner NH DESIGN_PUBLISH\PA\INSERT\CS1701.dwg



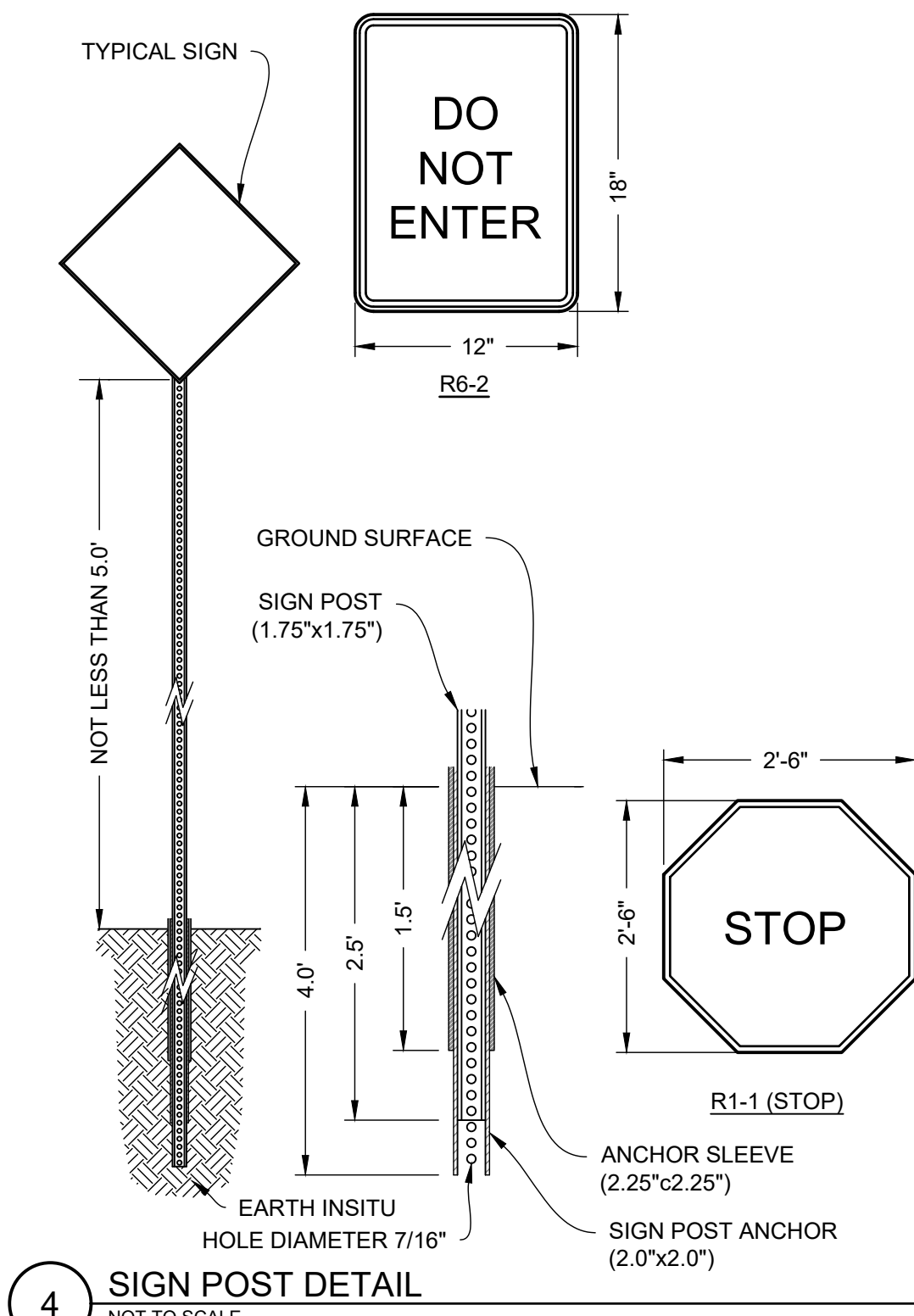
1 ACCESSIBLE CURB RAMP (ACR) - TYPE 'A' W/ DETECTABLE WARNING PANEL
NOT TO SCALE



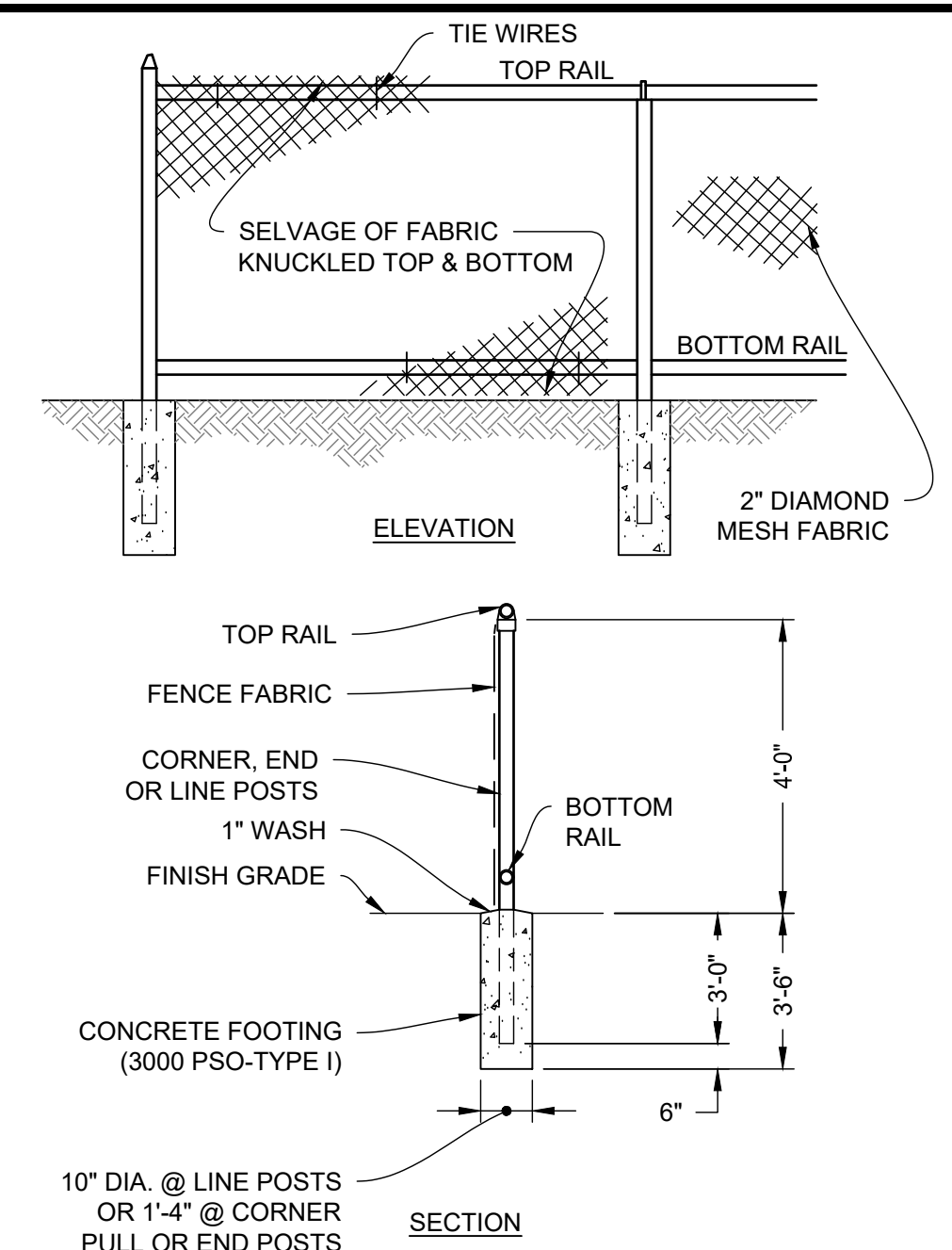
2 VERTICAL GRANITE CURB
NOT TO SCALE



3 BIT. CONC. PAVE. SECTION - PARKING LOT
NOT TO SCALE



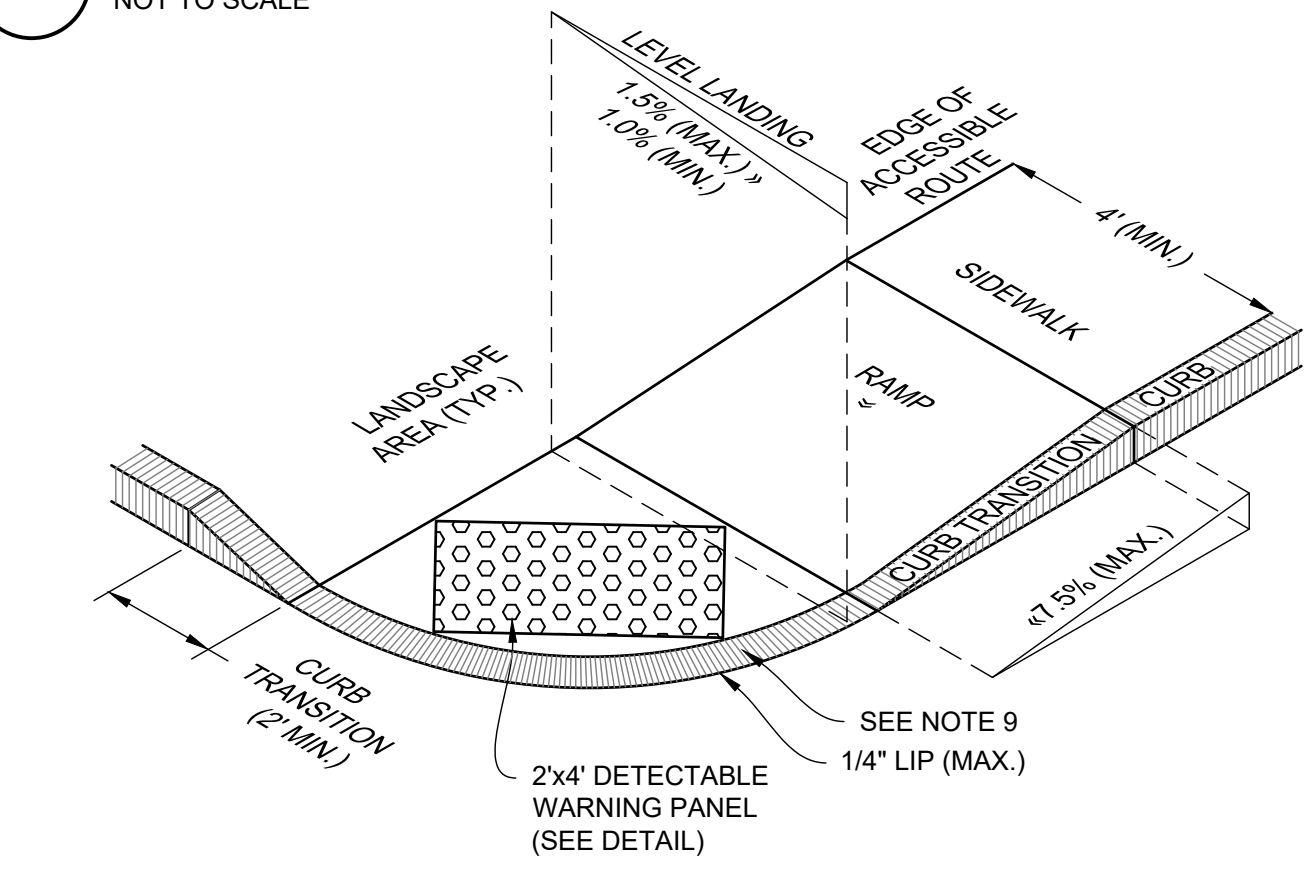
4 SIGN POST DETAIL
NOT TO SCALE



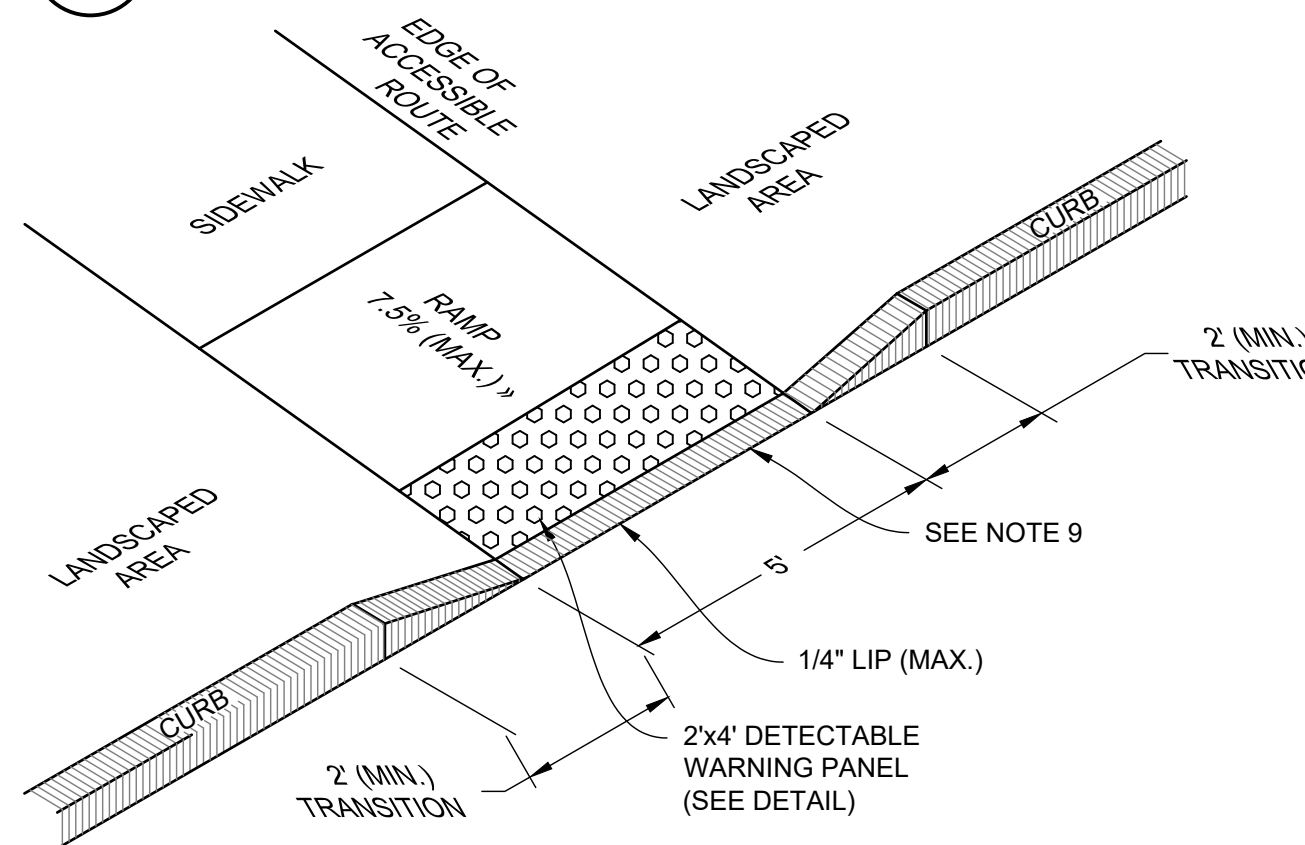
5 CHAIN LINK FENCE UP TO 6'
NOT TO SCALE

ACCESSIBLE CURB RAMP NOTES:

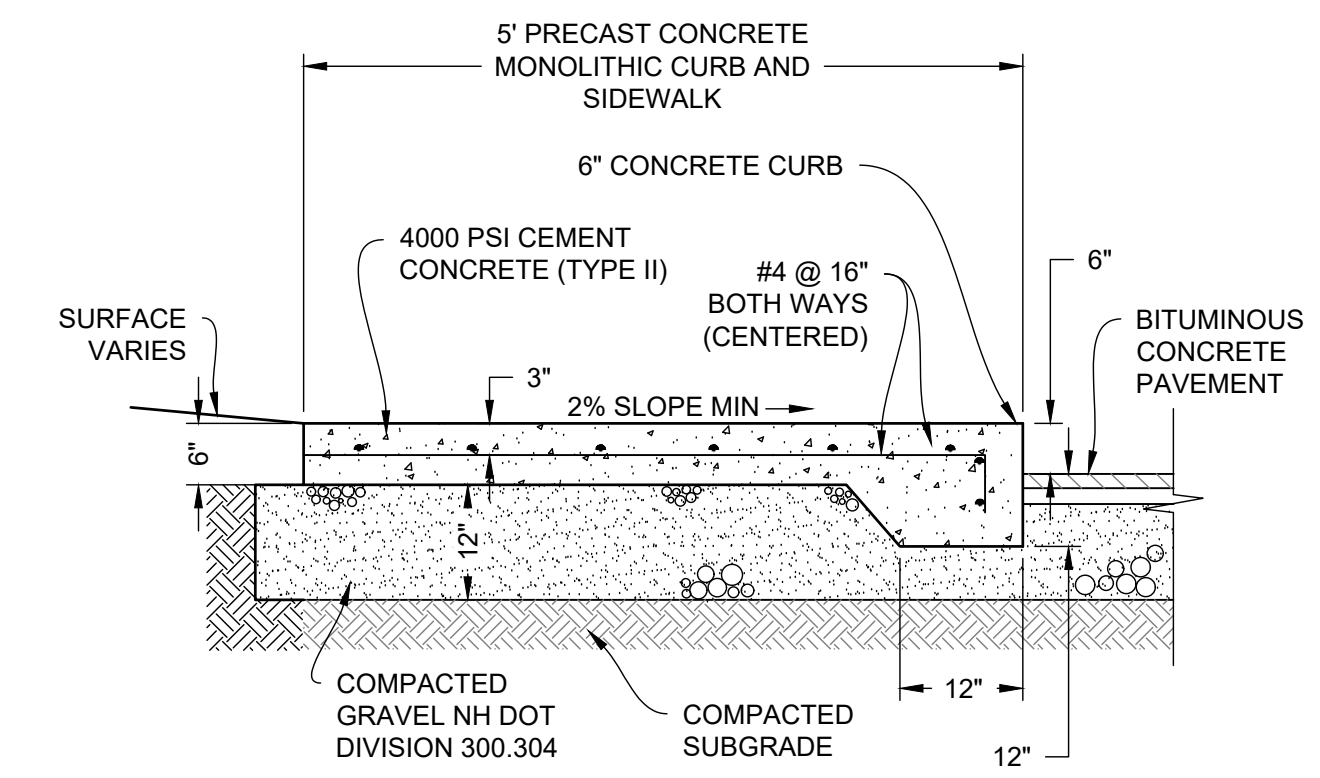
1. THE MAXIMUM ALLOWABLE SIDEWALK AND RAMP CROSS SLOPES SHALL BE 1.5% (1% MIN).
2. THE MAXIMUM ALLOWABLE SLOPE OF ACCESSIBLE ROUTE EXCLUDING CURB RAMPS SHALL BE 5%.
3. THE MAXIMUM ALLOWABLE SLOPE OF ACCESSIBLE ROUTE CURB RAMPS SHALL BE 7.5%.
4. A MINIMUM OF 3 FEET CLEAR SHALL BE MAINTAINED AT ANY PERMANENT OBSTACLE IN ACCESSIBLE ROUTE (I.E., HYDRANTS, UTILITY POLES, TREE WELLS, SIGNS, ETC.)
5. CURB TREATMENT VARIES, SEE PLAN FOR CURB TYPE.
6. RAMP, CURB AND ADJACENT PAVEMENTS SHALL BE GRADED TO PREVENT PONDING.
7. SEE TYPICAL SIDEWALK SECTION FOR RAMP CONSTRUCTION.
8. WHERE ACCESSIBLE ROUTES ARE LESS THAN 5' IN WIDTH (EXCLUDING CURBING) A 5'x5' PASSING AREA SHALL BE PROVIDED AT INTERVALS NOT TO EXCEED 200 FEET.
9. ELIMINATE CURBING AT RAMP WHERE IT ABUTS ROADWAY, EXCEPT WHERE VERTICAL CURBING IS INDICATED ON THE DRAWINGS TO BE INSTALLED AND SET FLUSH.



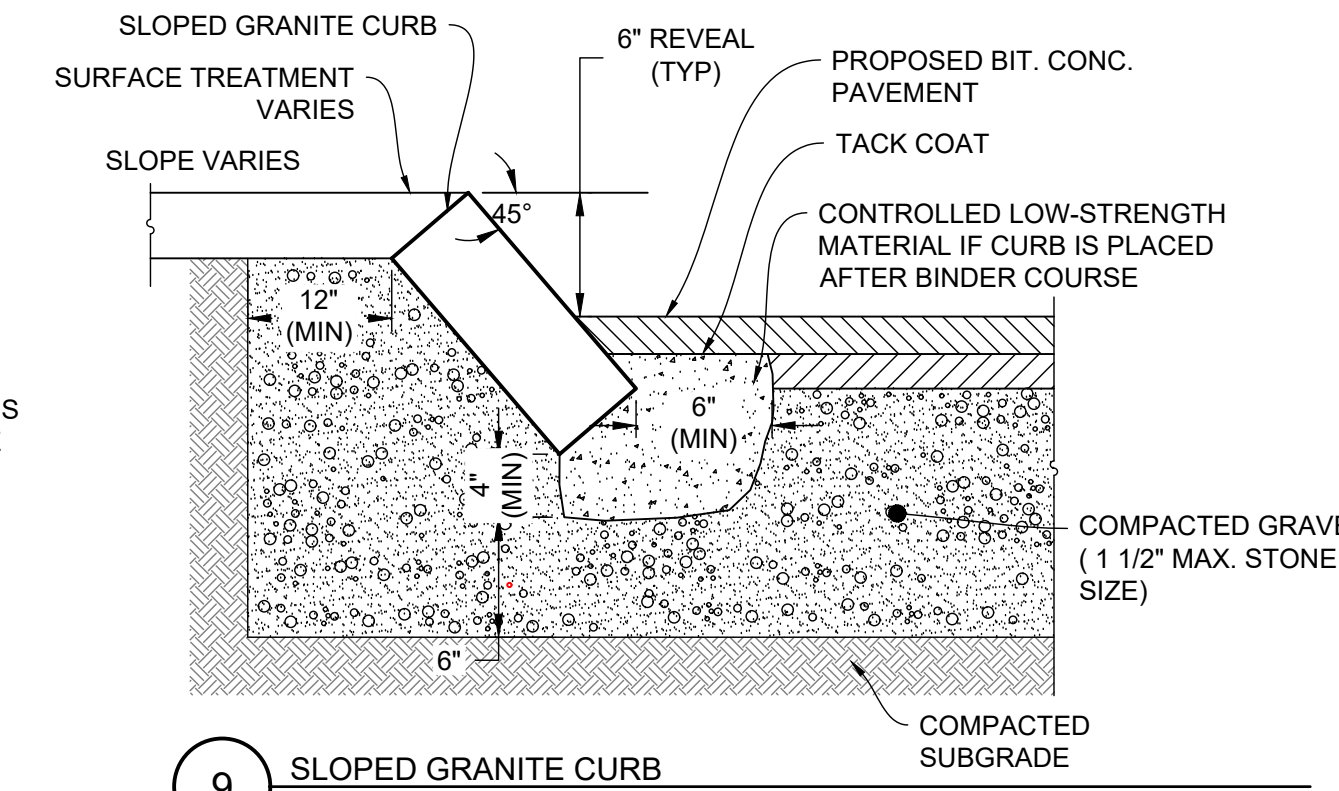
6 ACCESSIBLE CURB RAMP (ACR) W/ DETECTABLE WARNING PANEL
NOT TO SCALE



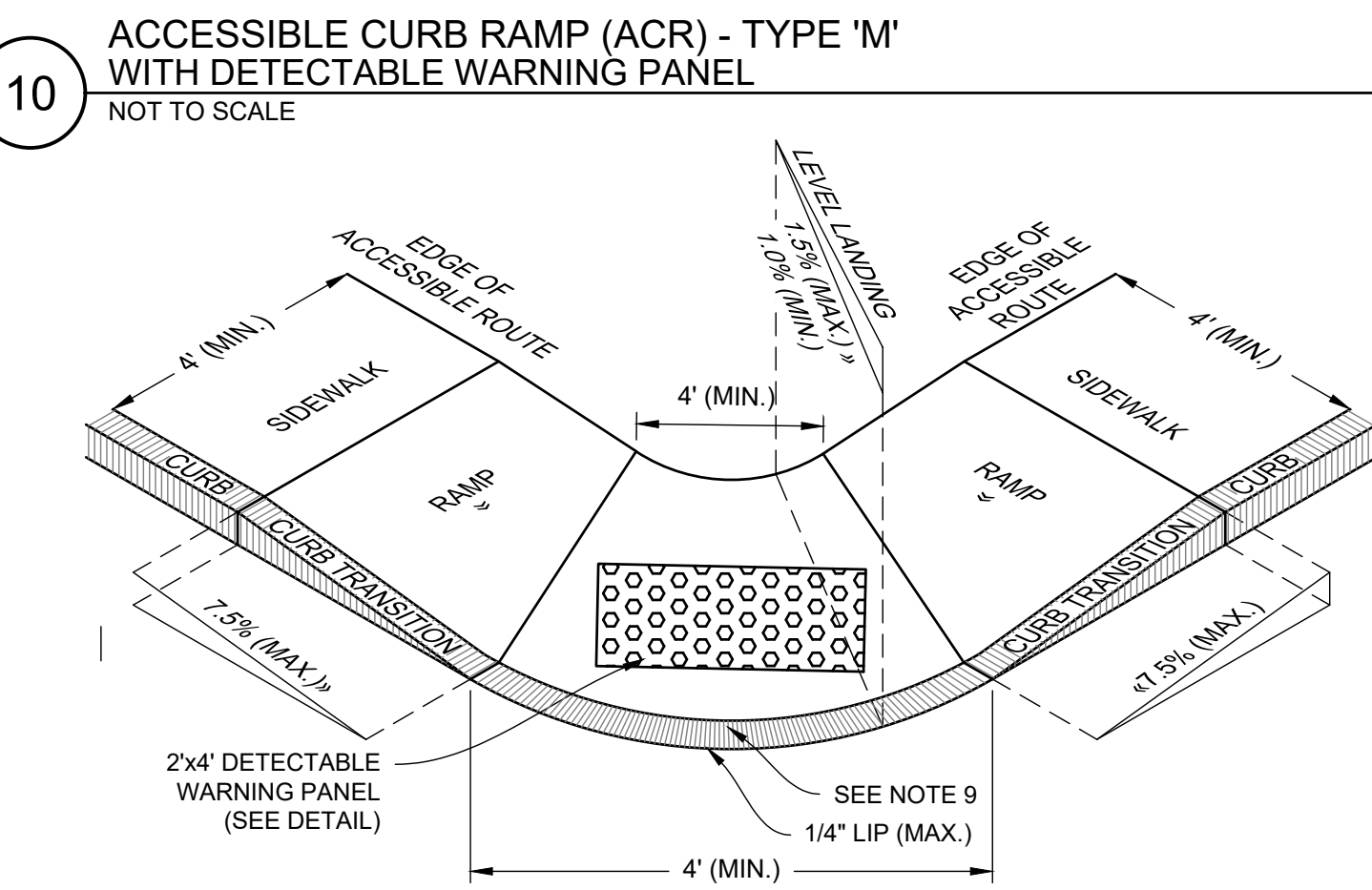
7 TYPICAL CONCRETE PAD SECTION
NOT TO SCALE



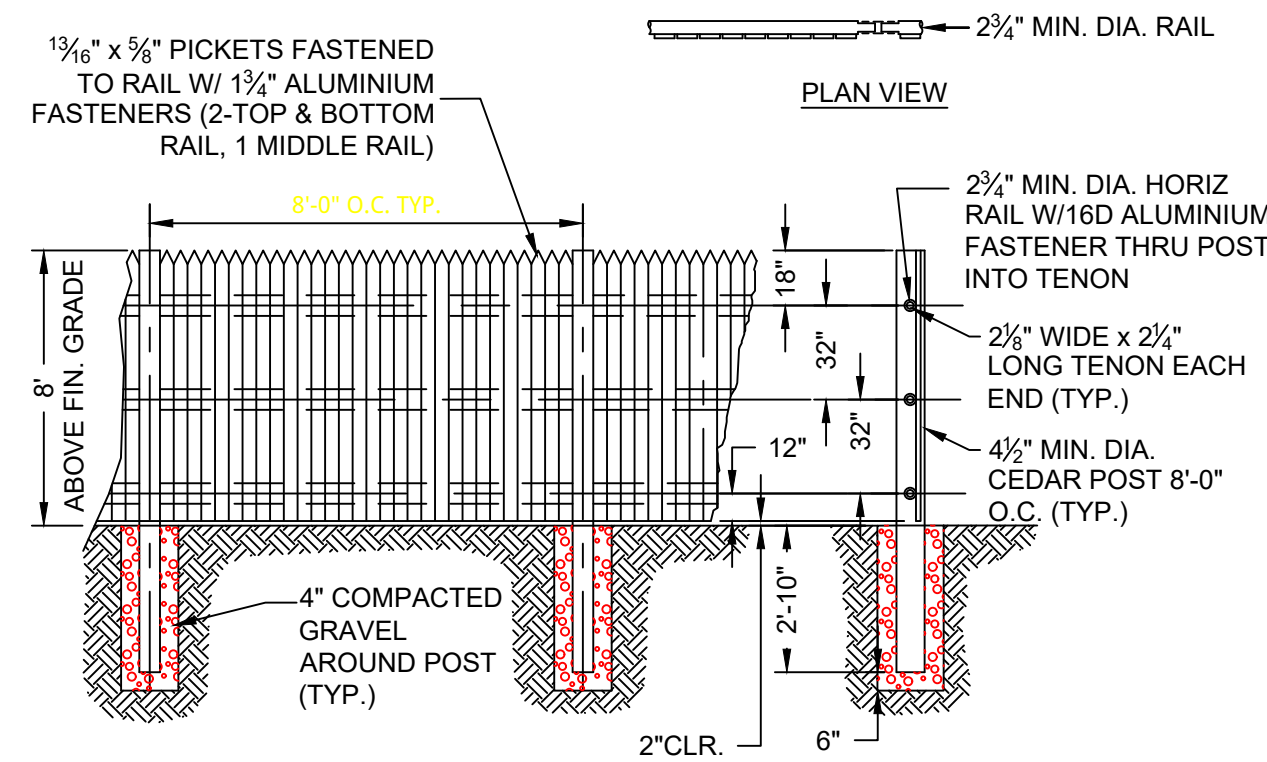
8 TYPICAL PRECAST CONCRETE SIDEWALK AND CURB SECTION
NOT TO SCALE



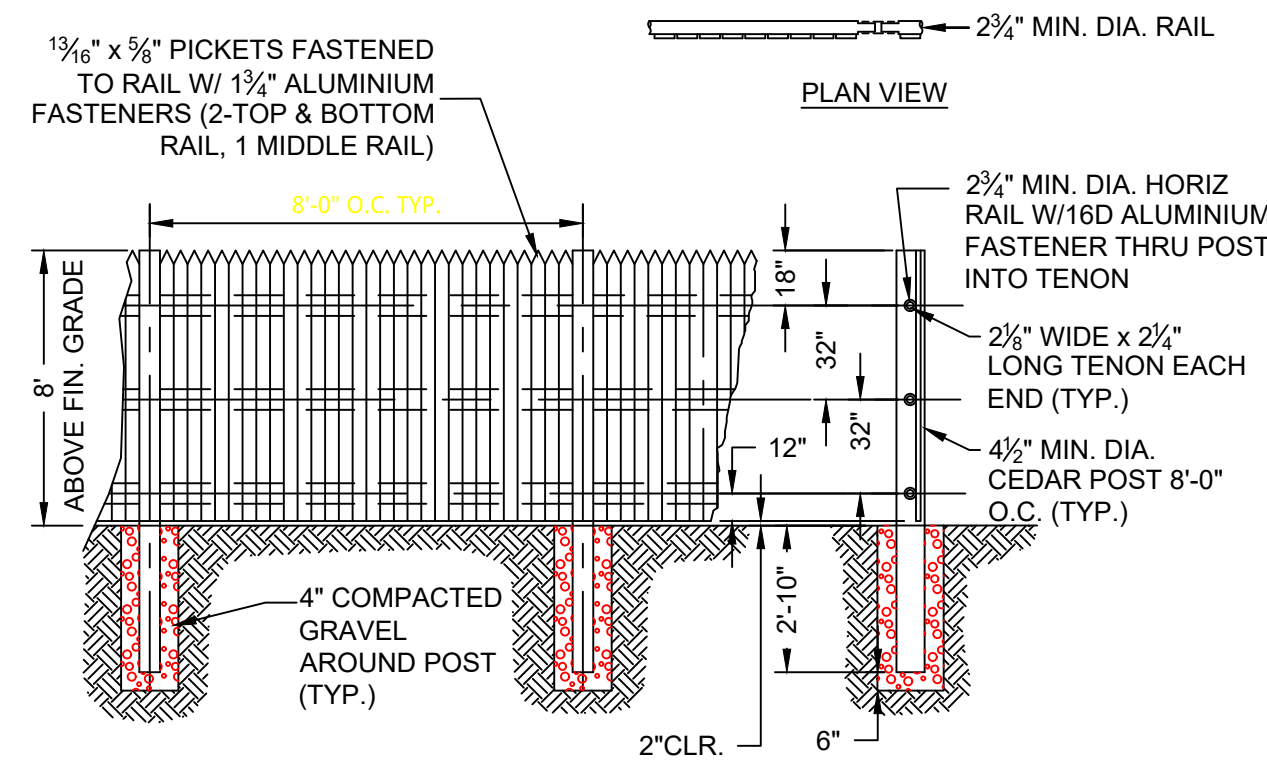
9 SLOPED GRANITE CURB
NOT TO SCALE



10 ACCESSIBLE CURB RAMP (ACR) - TYPE 'M' WITH DETECTABLE WARNING PANEL
NOT TO SCALE



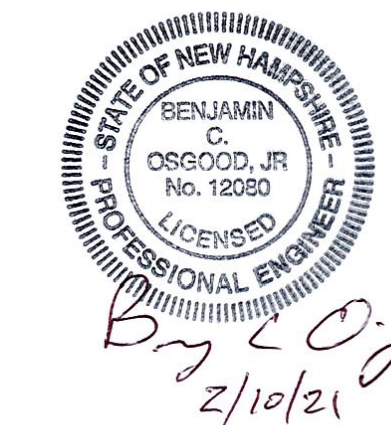
11 ACCESSIBLE CURB RAMP (ACR) - TYPE 'C' WITH DETECTABLE WARNING PANEL
NOT TO SCALE



12 8' STOCKADE FENCE
NOT TO SCALE

NOTES:

1. ALL FENCING MATERIAL SHALL BE NORTHERN WHITE CEDAR, SHOWN TO THE DIMENSIONS SHOWN ON THE DRAWING.
2. ALL FENCE POSTS SHALL BE TREATED WITH PRESERVATIVE PER MANUFACTURER'S RECOMMENDATION ON ALL SIDES FOR A DIMENSION OF 3'-0" FROM BUTT OF POST.
3. POSTS SHALL MAINTAIN A DEPTH OF 2'-10" IN GROUND AND SHALL NOT BE RACKED TO ACCOMMODATE CHANGES IN GRADE.
4. LINE OF FENCE TOP AND BOTTOM SHALL BE INSTALLED STRAIGHT AND TRUE. POSTS AND PICKETS SHALL BE INSTALLED PARALLEL AND PLUMB. RAILS SHALL BE INSTALLED PARALLEL TO GROUND SURFACE AND EACH OTHER.
5. GATE HARDWARE SHALL BE DOUBLE DIP HOT GALVANIZED. THE CONTRACTOR SHALL SUBMIT GATE AND FENCE SHOP DRAWINGS TO THE ENGINEER FOR REVIEW.



DATE	NO.	REVISIONS	BY
02/10/2021	1	09/14/2020 DES REVIEW COMMENTS	BCO
07/10/2020	1	FINAL REVIEW COMMENTS	BCO

SITE PLAN
ROUTE 103 WEST, WARNER NH,
ASSESSOR'S MAP 35 LOTS 4-1 & 4-2

OWNER: COMET, LLC
355 MIDDLESEX AVE, SUITE 7 WILMINGTON, MA 01887

SITE DETAILS
CS6001

Ranger Engineering Group, Inc.
13 Branch Street, Suite 101
Methuen, MA 01844
Tel: 978-208-1762
rangereng.com

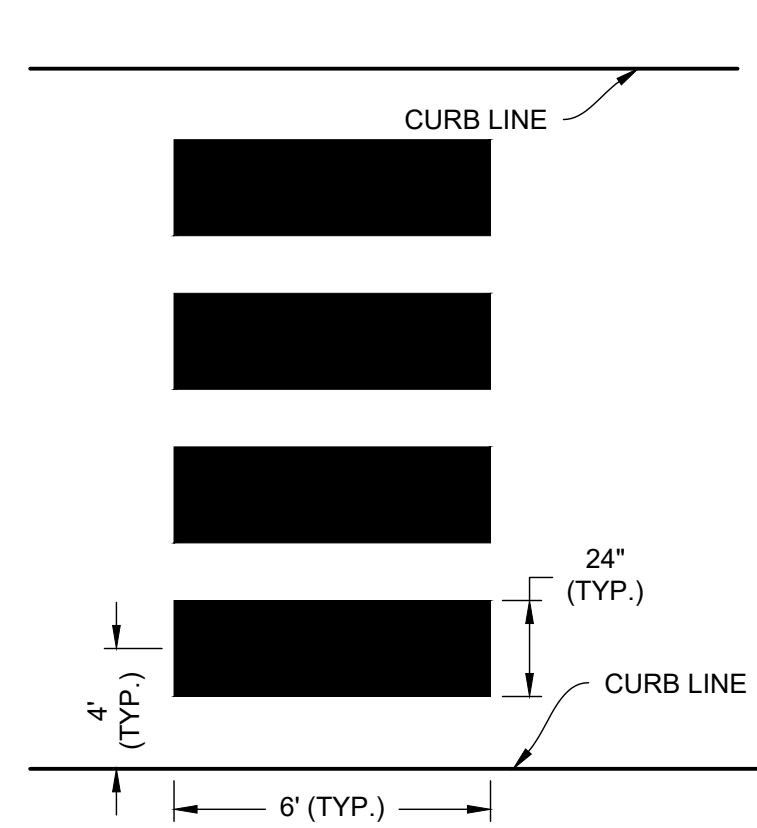
WARNER PLANNING BOARD CHAIRMAN:

DATE:

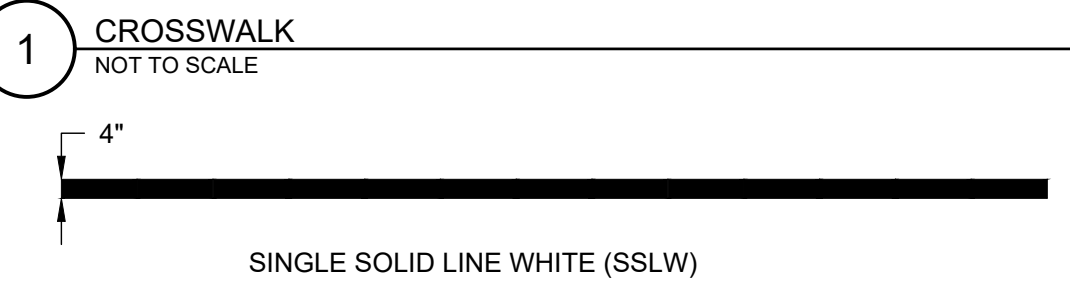
DATE: 2020-05-06

SCALE: 1" = 30'

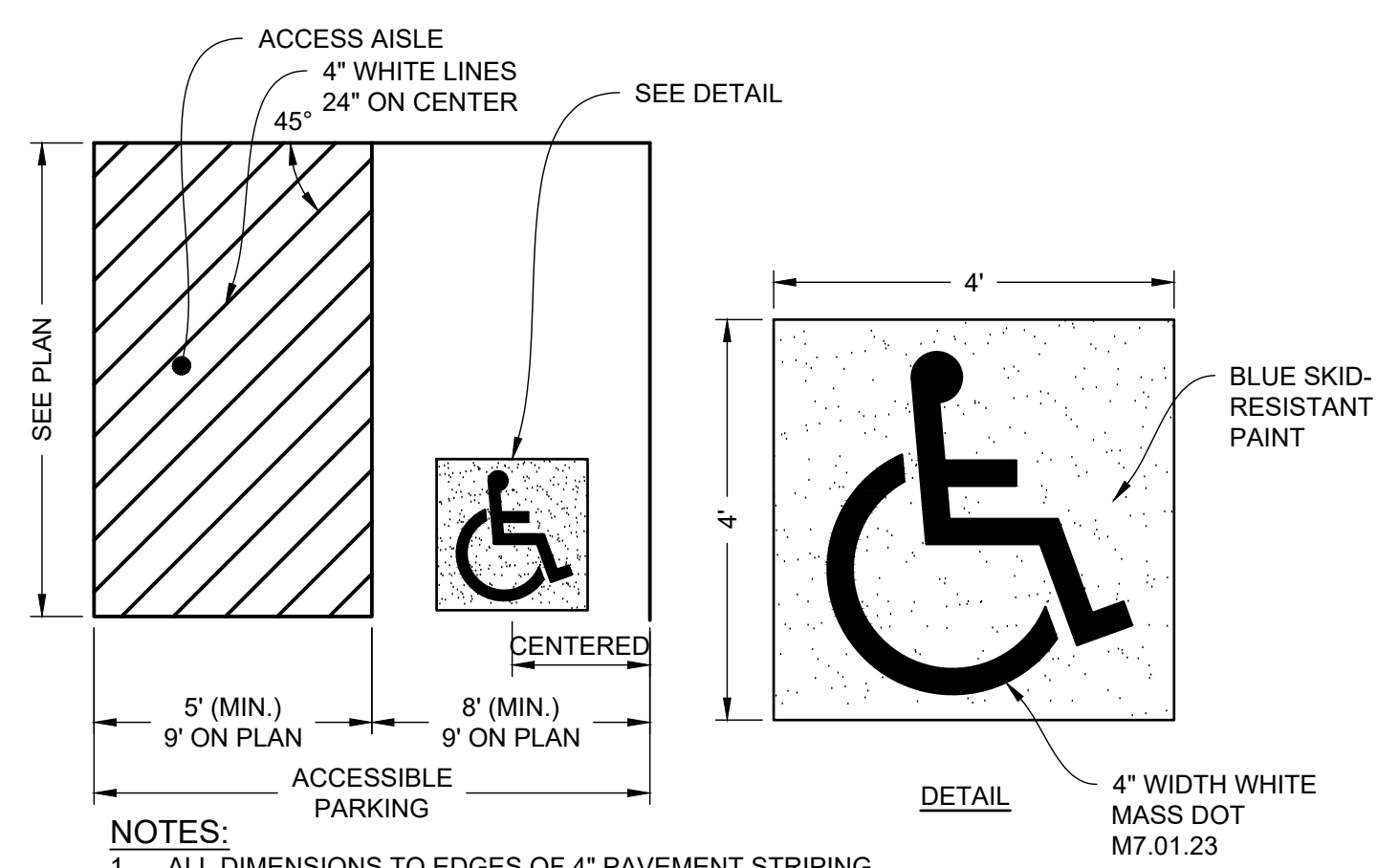
SHEET 9 OF 17



- NOTES:**
- TWELVE INCH (12") LINES SHALL BE APPLIED IN ONE APPLICATION, NO COMBINATION OF LINES (TWO - 6 INCH LINES) WILL BE ACCEPTED.
 - LONGITUDINAL CROSSWALK LINES TO BE PARALLEL TO CURB LINE.
 - ALL LONGITUDINAL CROSSWALK LINES TO BE THE SAME LENGTH AND PROPERLY ALIGNED.
 - CROSS WALK SIDE SLOPE SHALL NOT EXCEED 1.5%.

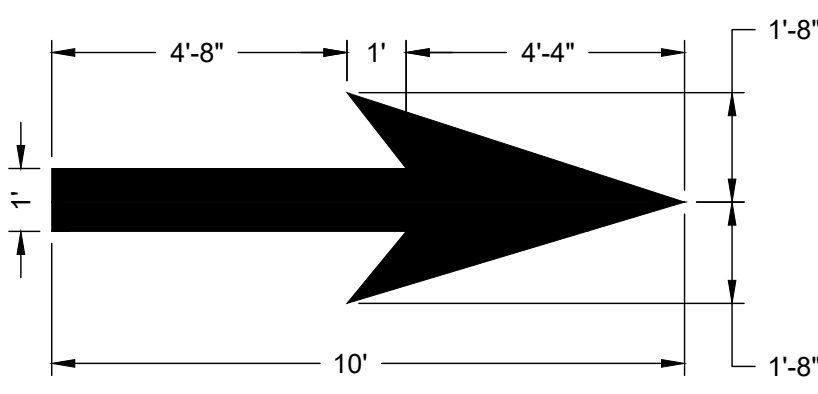


- NOTE:**
- ALL MARKINGS SHALL BE WHITE TRAFFIC PAINT, MASS DOT M7.01.23 FAST DRYING WHITE WATER-BORNE TRAFFIC PAINT.

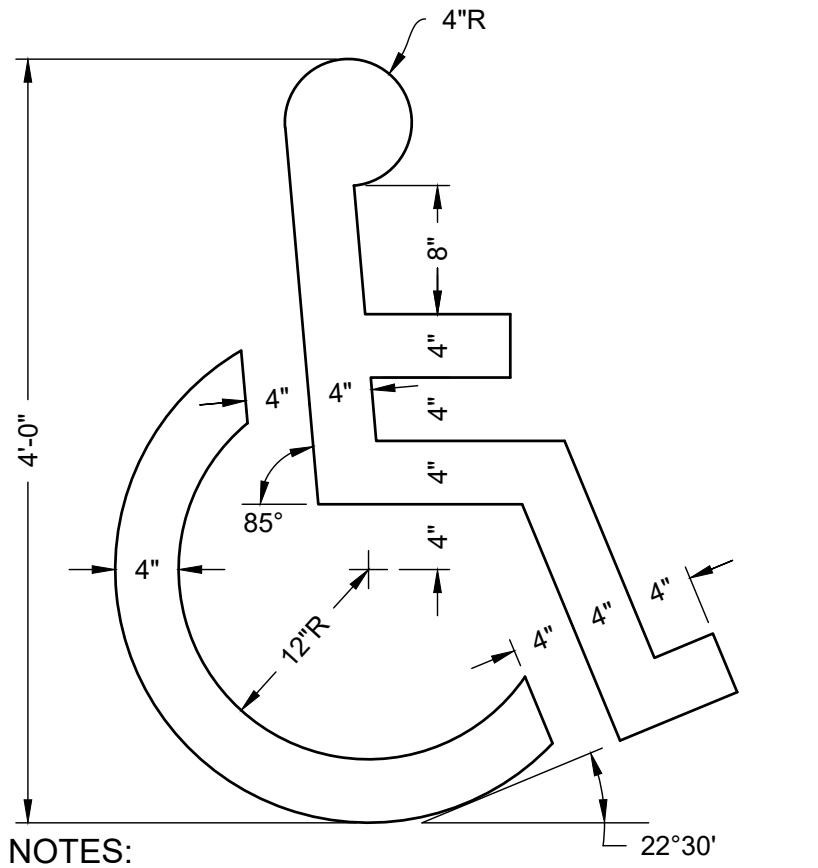


- NOTES:**
- ALL DIMENSIONS TO EDGES OF 4" PAVEMENT STRIPING.
 - ALL STRIPING SHALL BE 4" WIDE SOLID WHITE PAVEMENT MARKINGS UNLESS OTHERWISE NOTED. MASS DOT M7.01.23 FAST DRYING WHITE WATER-BORNE TRAFFIC PAINT.
 - 8' STALL WIDTH REFERS TO 8' CLEAR BETWEEN INSIDE EDGES OF PAVEMENT MARKINGS.

6 ACCESSIBLE PARKING SPACE
NOT TO SCALE

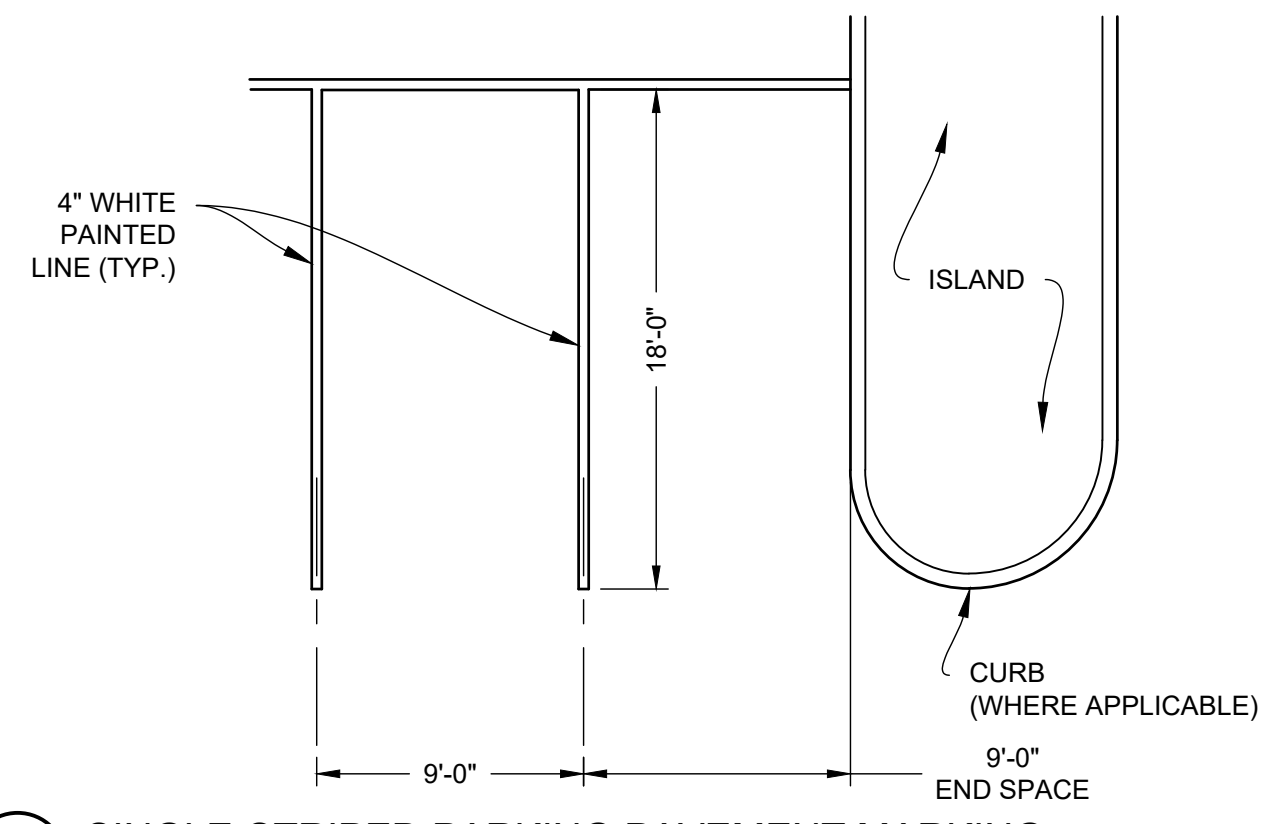


3 STRAIGHT ARROW
NOT TO SCALE

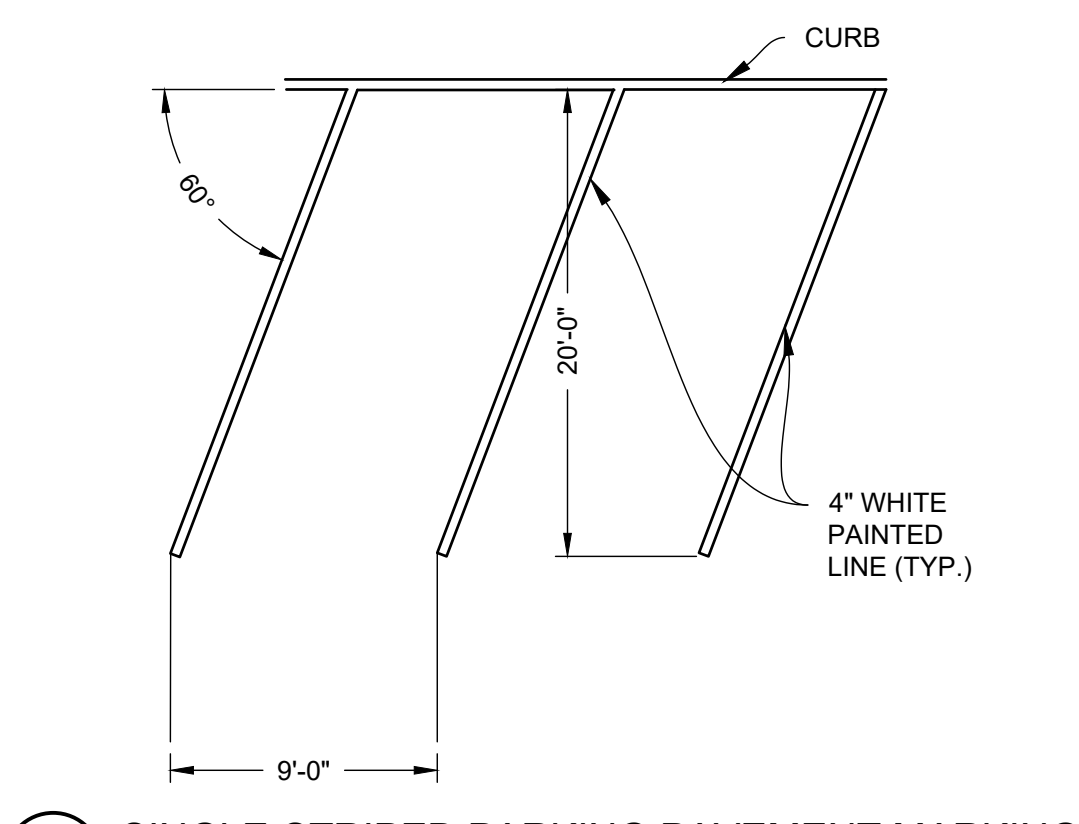


- NOTES:**
- SYMBOL SHALL BE CENTERED IN THE PARKING STALL AND SHALL BE WHITE.
 - PAVEMENT MARKING STRIPES SHALL BE WHITE. (DOUBLE STRIPED - SEE STALL LAYOUT DETAIL) MASS DOT M7.01.23 FAST DRYING WHITE WATER-BORNE TRAFFIC PAINT.
 - SYMBOL TO BE PAINTED IN ALL HANDICAP SPACES.

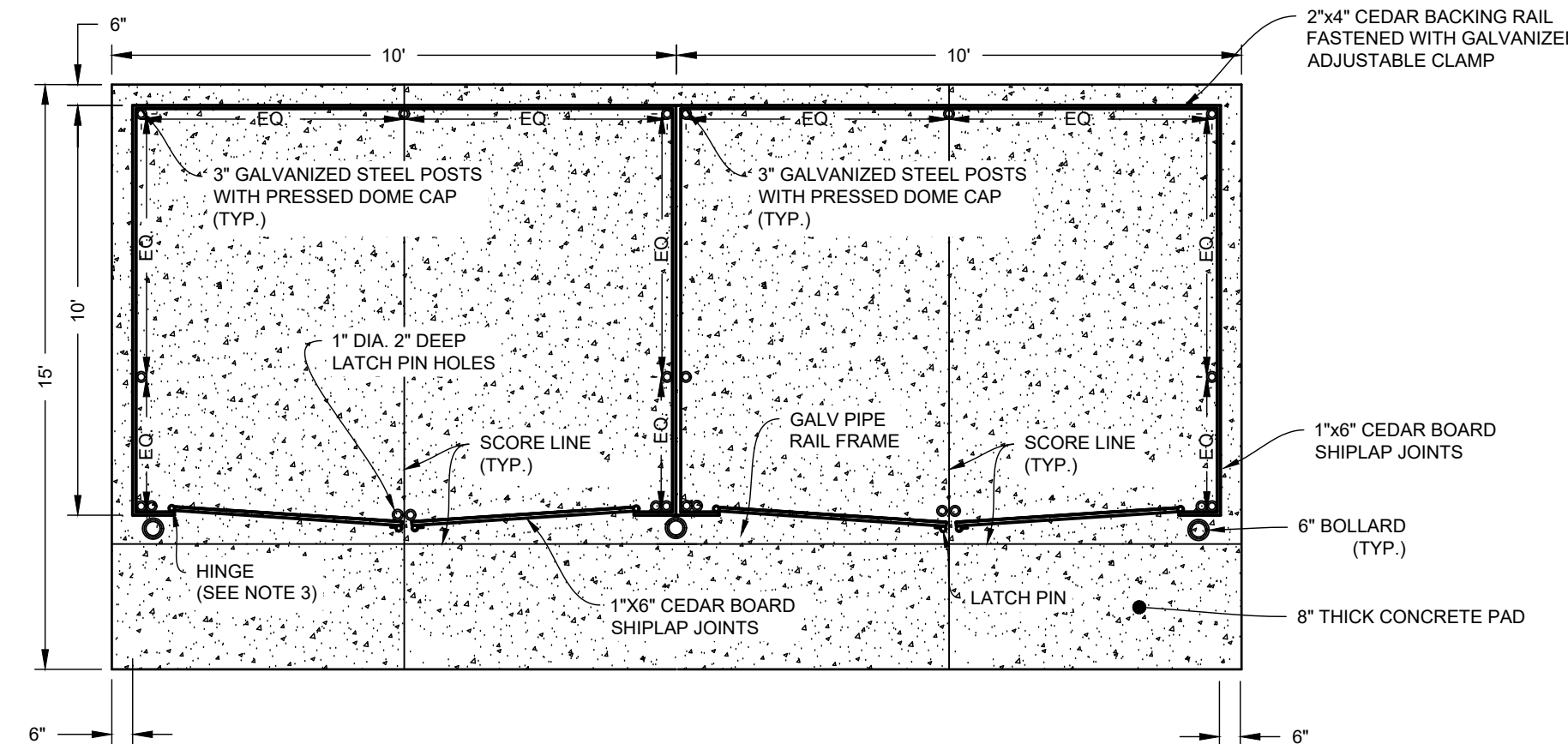
4 ACCESSIBLE PARKING SPACE SYMBOL
NOT TO SCALE



7 SINGLE-STRIPED PARKING PAVEMENT MARKING
NOT TO SCALE

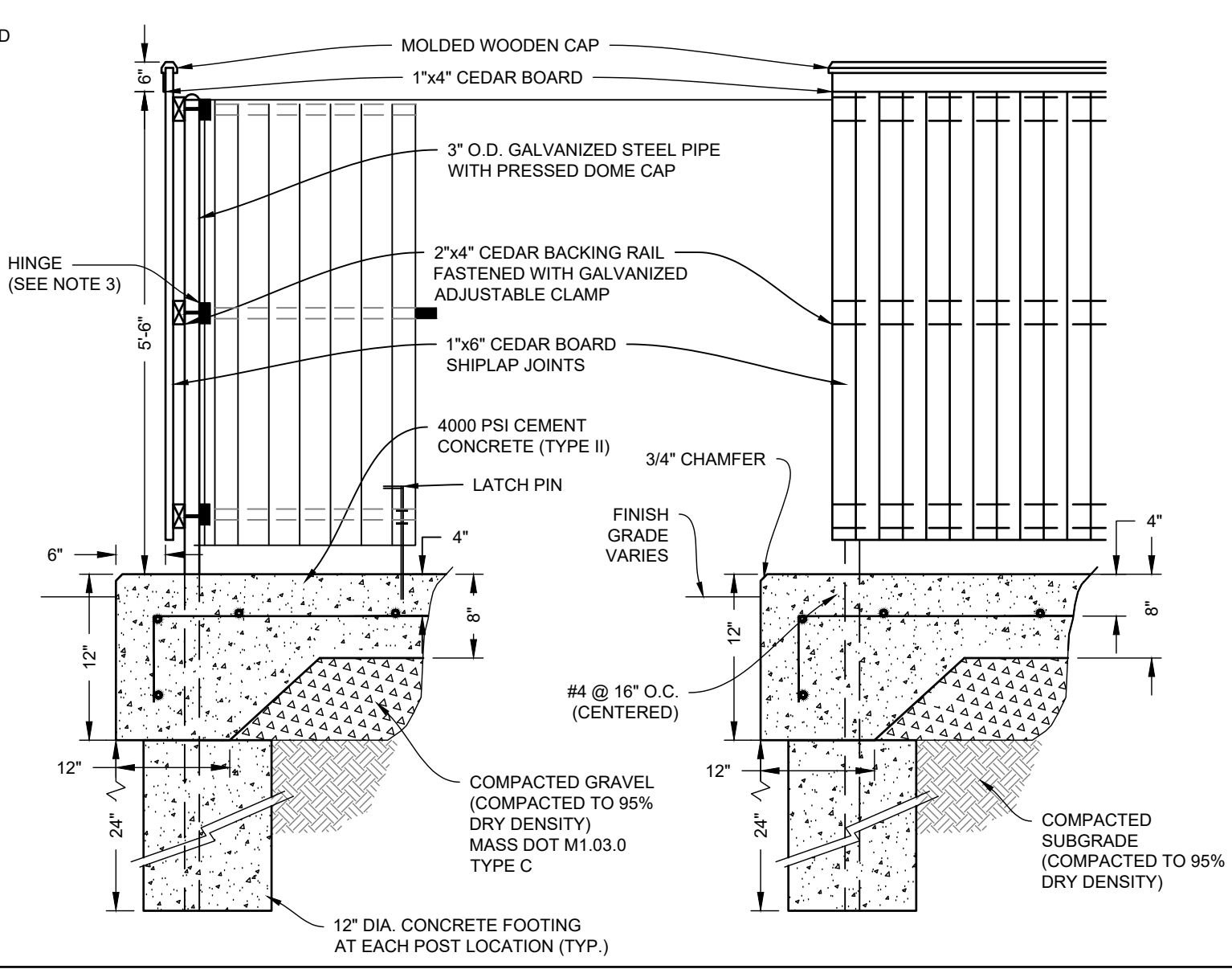


8 SINGLE-STRIPED PARKING PAVEMENT MARKING
NOT TO SCALE



- DUMPSTER PAD NOTES**
- SIZE OF DUMPSTER PAD TO BE AS INDICATED ON PLANS.
 - CONSTRUCTION JOINTS SHALL BE PLACED NO MORE THAN 40 FEET ON CENTER AND SHALL BE EQUALLY SPACED OVER THE LENGTH AND WIDTH OF PAD.
 - ALL HINGES TO BE SELF CLOSING SPRING HINGE FOR A MINIMUM 300 LB GATE CARRYING A 700LB POINT LOAD.

5 DUMPSTER PAD WITH ENCLOSURE
NOT TO SCALE



9 WOOD BEAM GUARDRAIL WITH WOOD POST
NOT TO SCALE

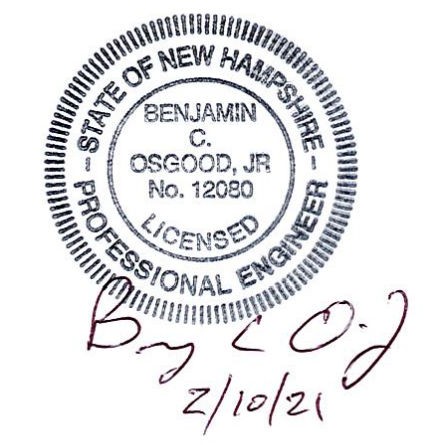
DATE	NO.	REVISIONS	BY
02/10/2021	1	09/14/2020 DES REVIEW COMMENTS	BCO
07/10/2020	1	FINAL REVIEW COMMENTS	BCO

SITE PLAN
ROUTE 103 WEST, WARNER NH,
ASSESSOR'S MAP 35 LOTS 4-1 & 4-2

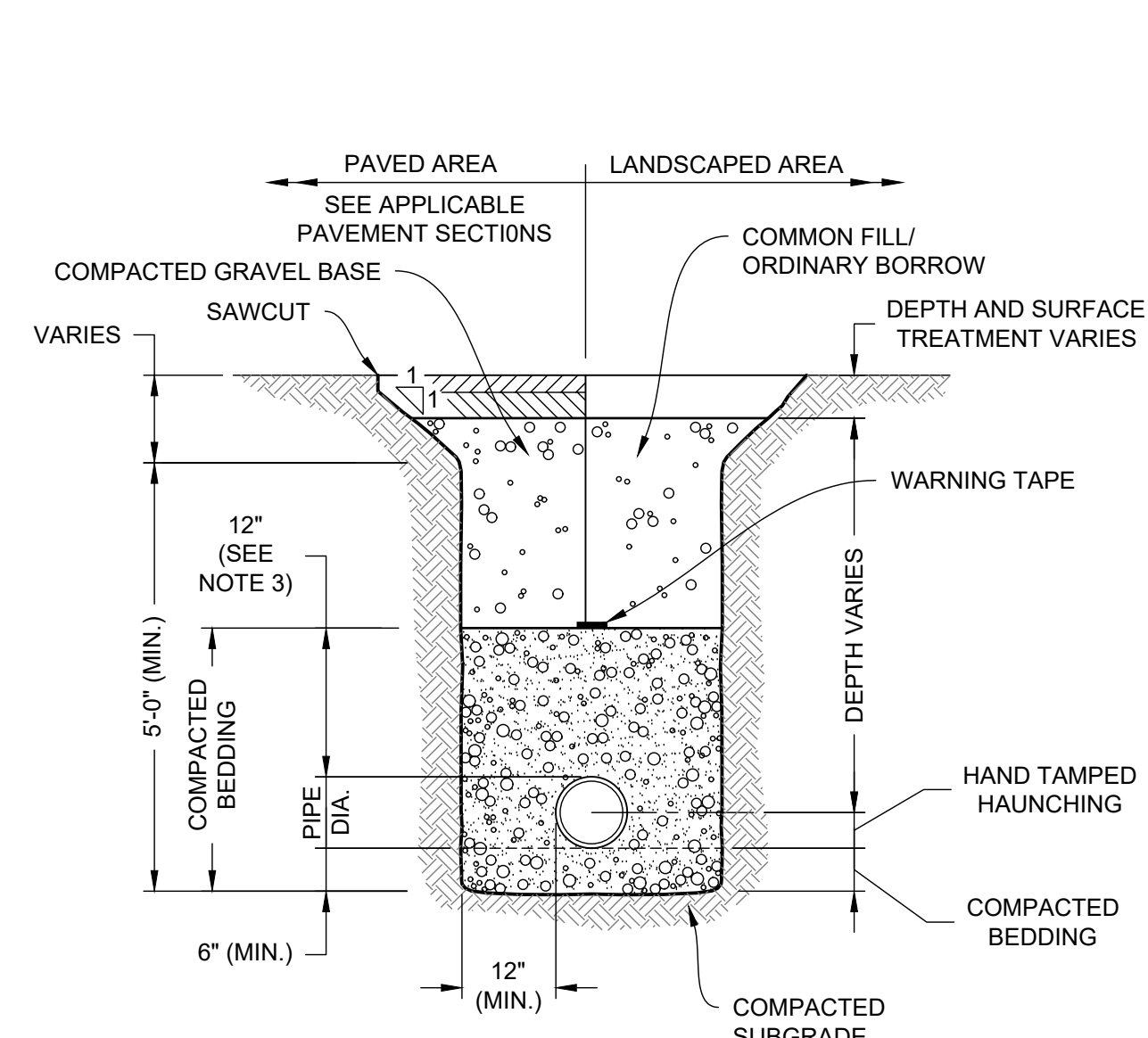
OWNER: COMET, LLC
355 MIDDLESEX AVE, SUITE 7 WILMINGTON, MA 01887

SITE DETAILS
CS6002

Ranger Engineering Group, Inc.
13 Branch Street, Suite 101
Methuen, MA 01844
Tel: 978-208-1762
rangereng.com

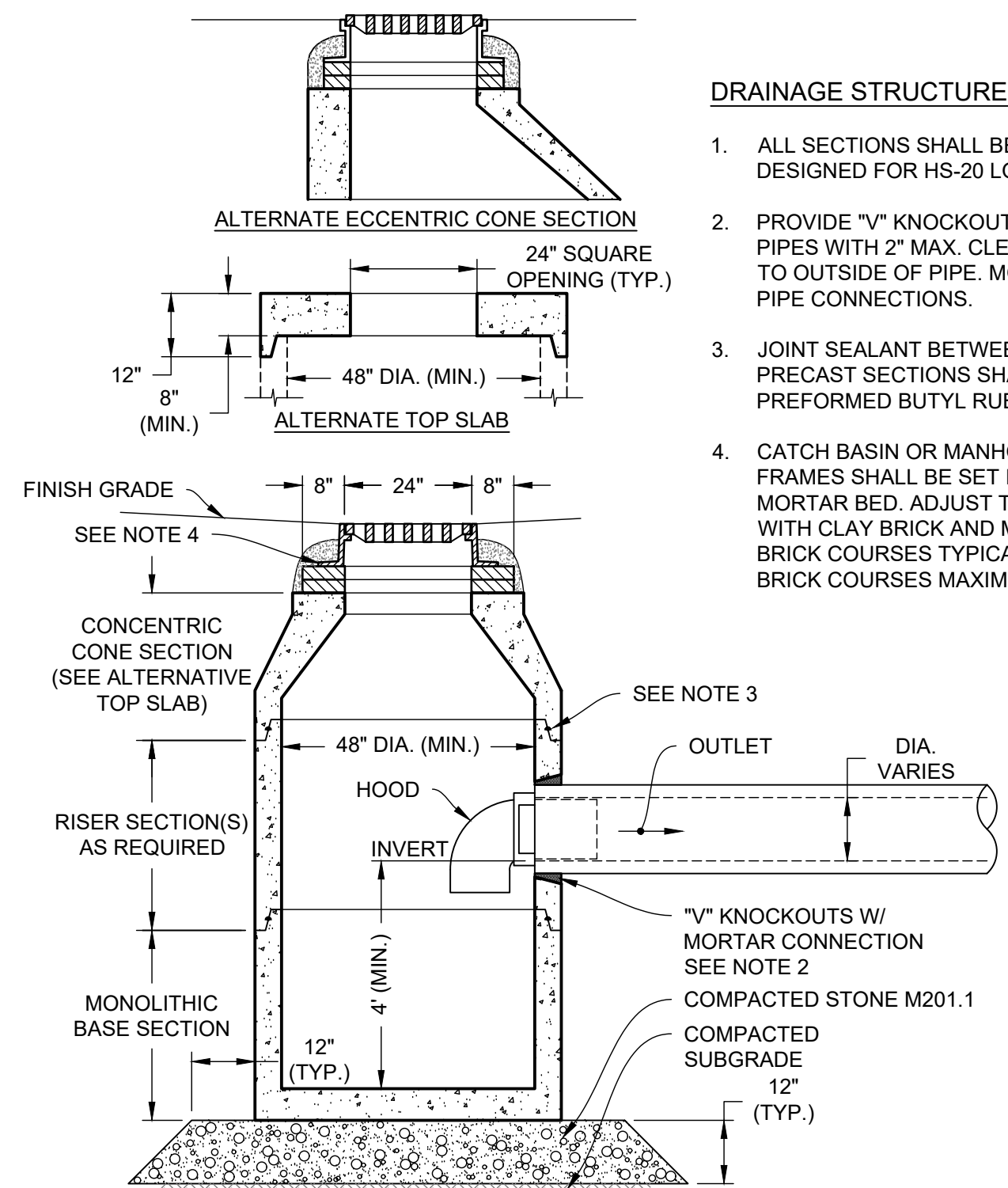


WARNER PLANNING BOARD CHAIRMAN: _____
DATE: _____



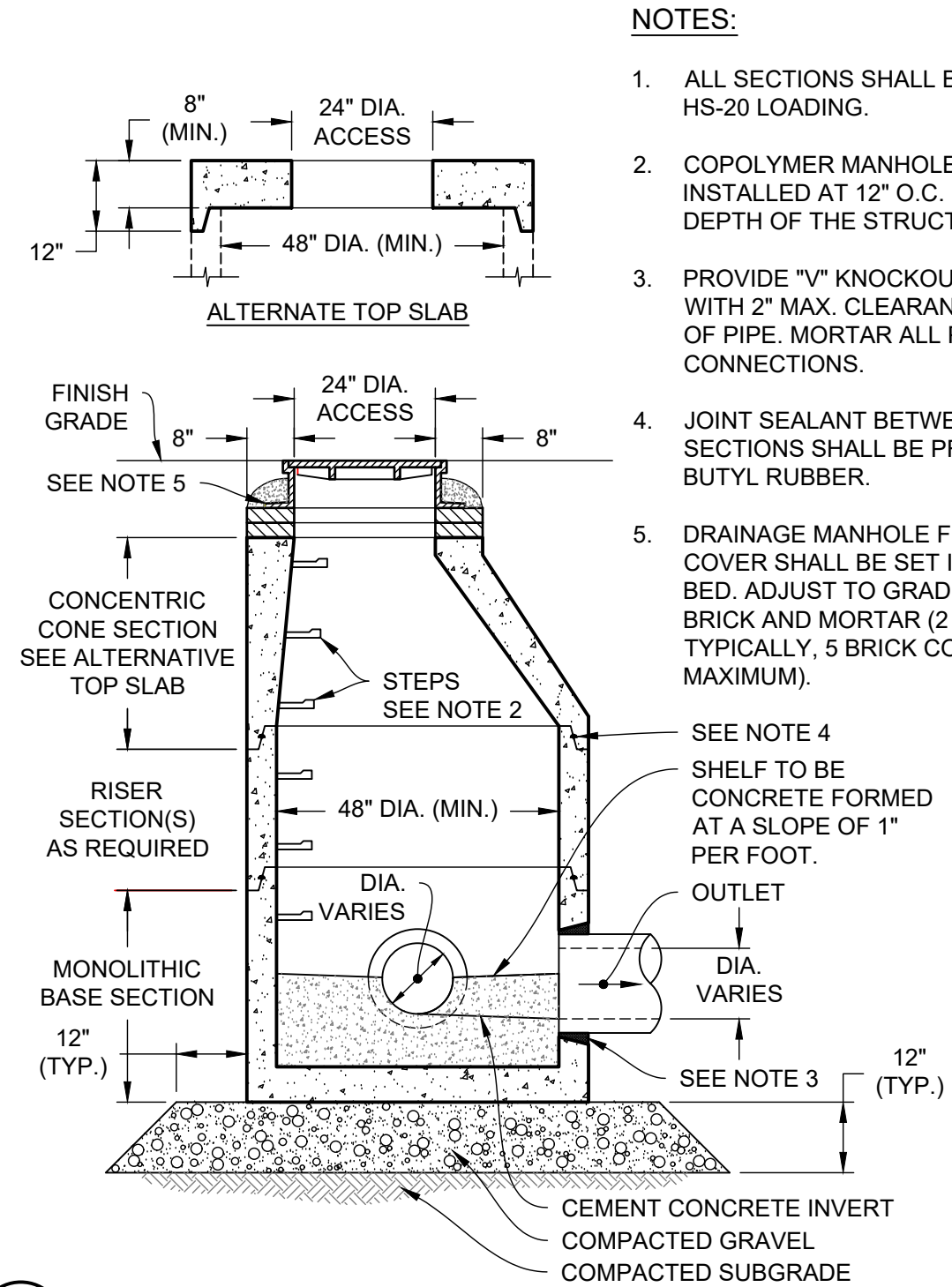
- NOTES:**
- WHERE UTILITY TRENCHES ARE CONSTRUCTED THROUGH DETENTION BASIN BERMS OR OTHER SUCH SPECIAL SECTIONS, PLACE TRENCH BACKFILL WITH MATERIALS SIMILAR TO THE SPECIAL SECTION REQUIREMENTS.
 - USE METALLIC TRACING/WARNING TAPE OVER ALL PIPES.
 - FOR HDPE PIPE, DIMENSION IS 24 INCHES.

1 DRAINAGE TRENCH
NOT TO SCALE



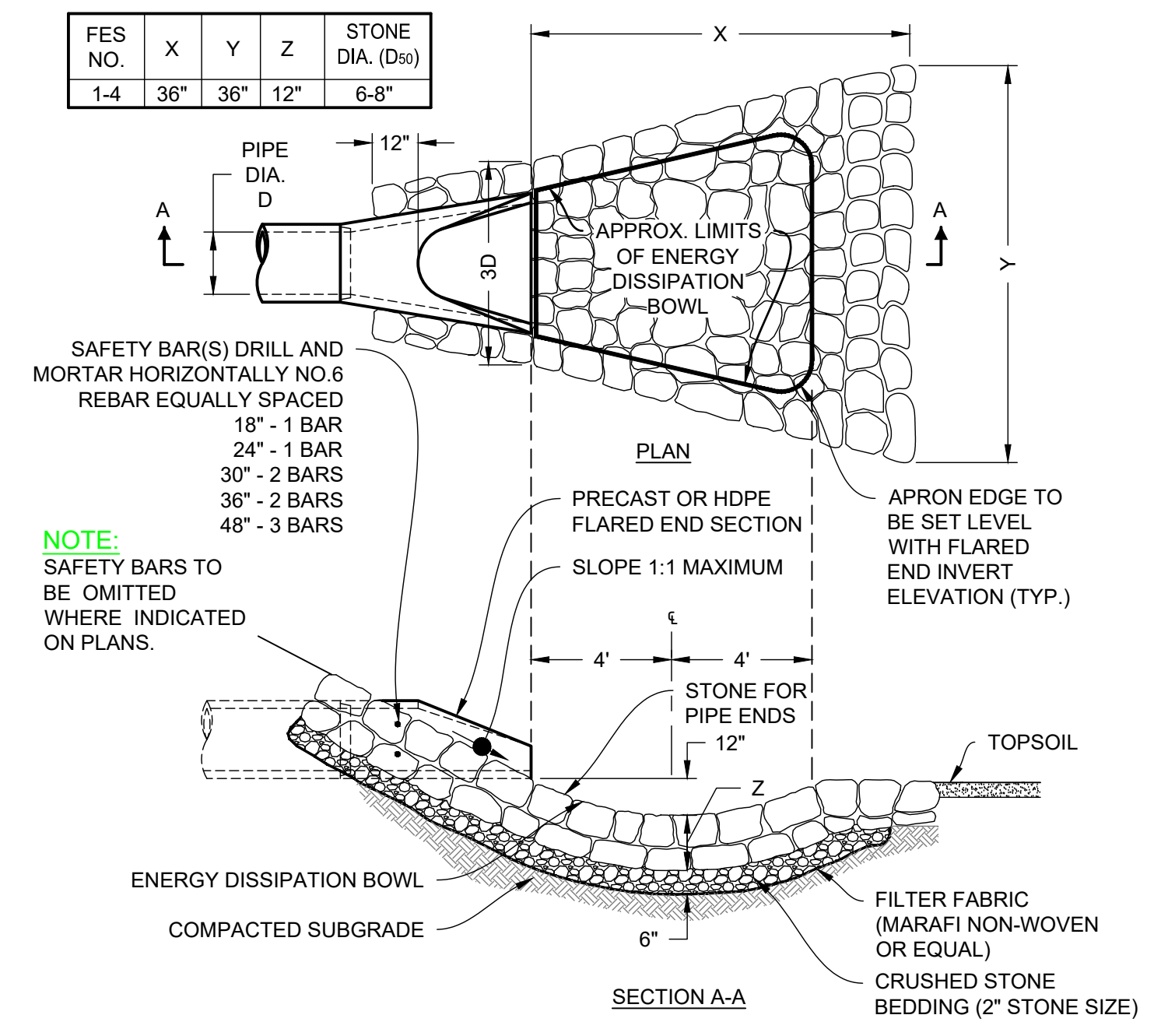
- DRAINAGE STRUCTURE NOTES:**
- ALL SECTIONS SHALL BE DESIGNED FOR HS-20 LOADING.
 - PROVIDE "V" KNOCKOUTS FOR PIPES WITH 2" MAX. CLEARANCE TO OUTSIDE OF PIPE. MORTAR ALL PIPE CONNECTIONS.
 - JOINT SEALANT BETWEEN PRECAST SECTIONS SHALL BE PREFORMED BUTYL RUBBER.
 - CATCH BASIN OR MANHOLE FRAMES SHALL BE SET IN FULL MORTAR BED. ADJUST TO GRADE WITH CLAY BRICK AND MORTAR (2 BRICK COURSES TYPICALLY, 5 BRICK COURSES MAXIMUM).

2 CATCH BASIN (CB) WITH HOOD
NOT TO SCALE

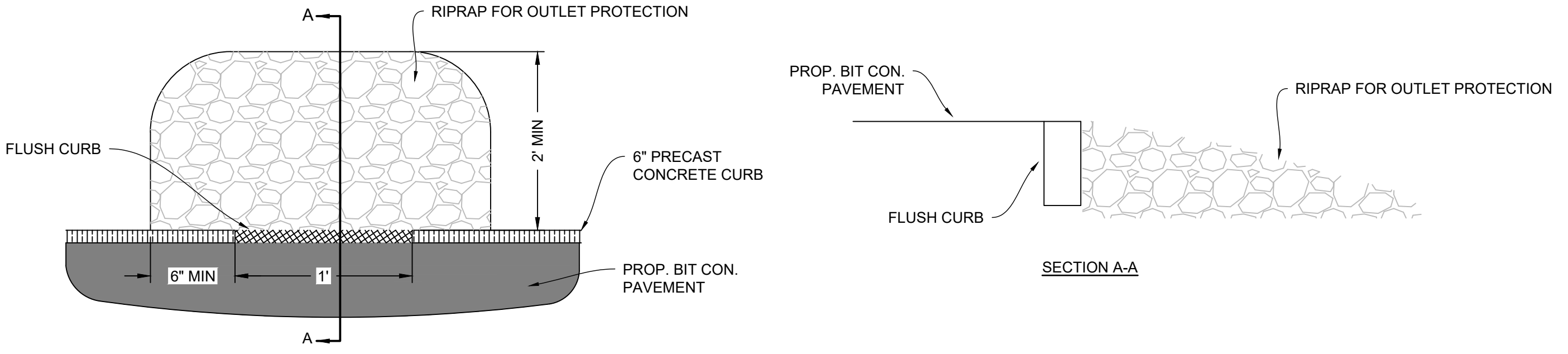


- NOTES:**
- ALL SECTIONS SHALL BE DESIGNED FOR HS-20 LOADING.
 - COPOLYMER MANHOLE STEPS SHALL BE INSTALLED AT 12" O.C. FOR THE FULL DEPTH OF THE STRUCTURE.
 - PROVIDE "V" KNOCKOUTS FOR PIPES WITH 2" MAX. CLEARANCE TO OUTSIDE OF PIPE. MORTAR ALL PIPE CONNECTIONS.
 - JOINT SEALANT BETWEEN PRECAST SECTIONS SHALL BE PREFORMED BUTYL RUBBER.
 - DRAINAGE MANHOLE FRAME AND COVER SHALL BE SET IN FULL MORTAR BED. ADJUST TO GRADE WITH CLAY BRICK AND MORTAR (2 BRICK COURSES TYPICALLY, 5 BRICK COURSES MAXIMUM).

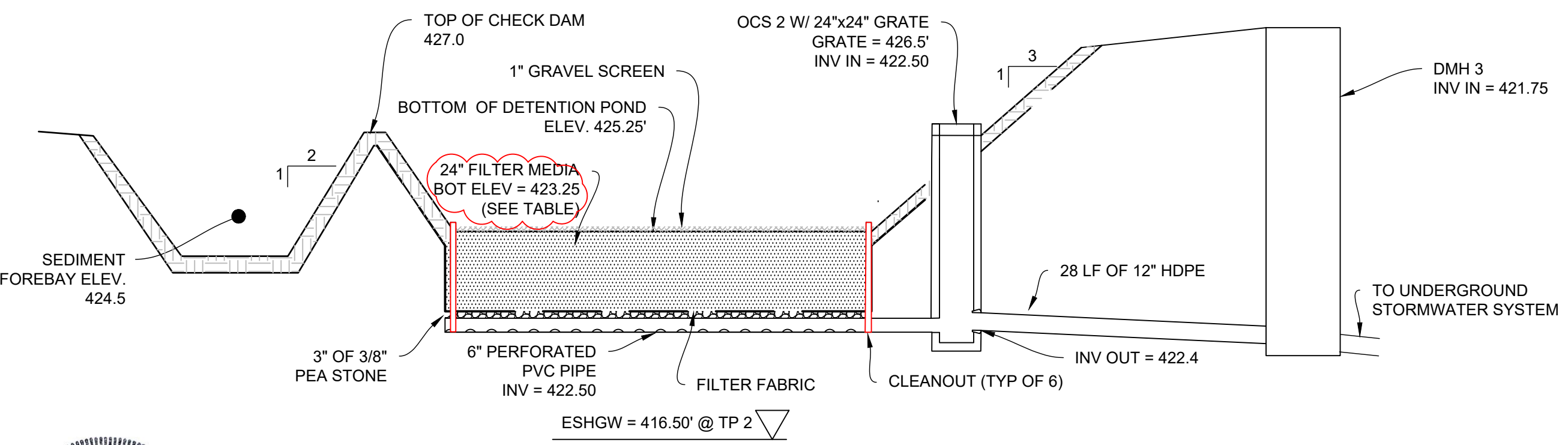
3 DRAINAGE MANHOLE (DMH)
NOT TO SCALE



4 FLARED END SECTION (FES) WITH STONE PROTECTION
NOT TO SCALE

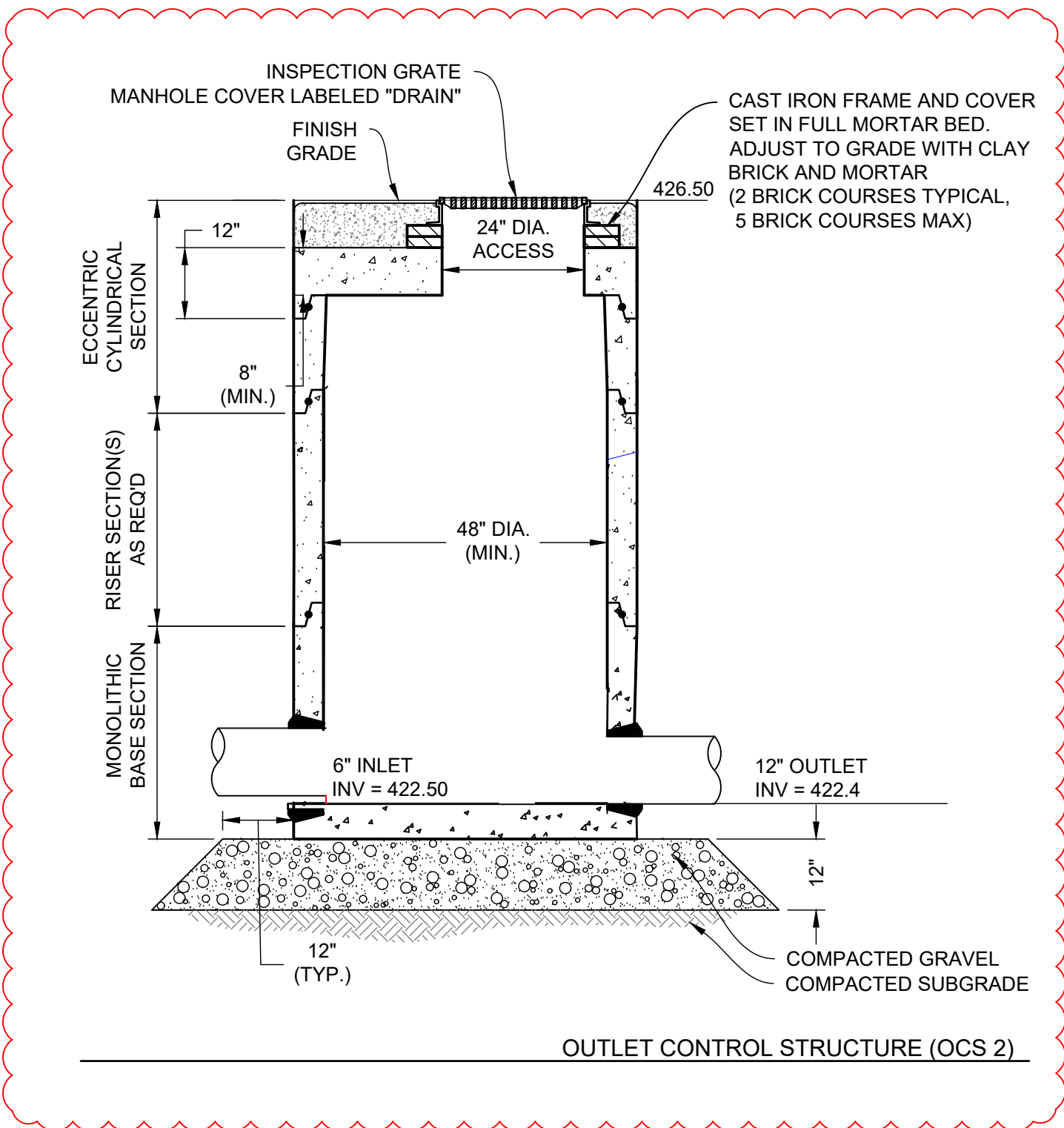
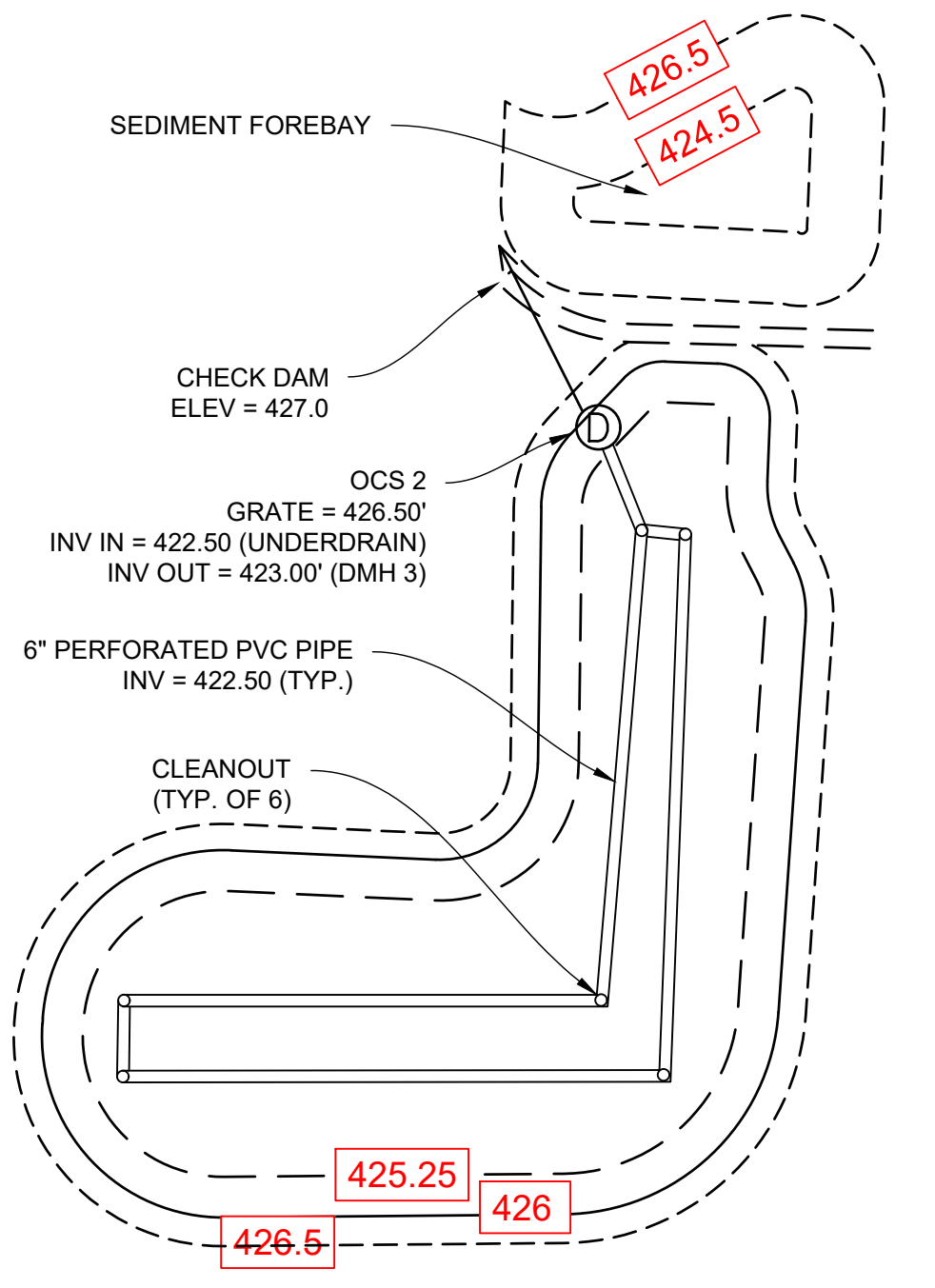


5 DRAIN SCUPPER DETAIL
NOT TO SCALE



- NOTES:**
- DO NOT TRAFFIC EXPOSED SOIL WITH CONSTRUCTION EQUIPMENT. IF FEASIBLE, PERFORM EXCAVATIONS OUTSIDE OF BASIN LIMITS.
 - UPON COMPLETION OF EXCAVATION TO THE PROPOSED DEPTH, ROTO-TILL SOIL FOLLOWED BY A PASS WITH A LEVELING DRAG TO RESTORE INFILTRATION RATES
 - DO NOT PLACE INTO SERVICE UNTIL CONTRIBUTING AREAS HAVE BEEN STABILIZED

6 CROSS SECTION/ PLAN VIEW OF DETENTION POND W/ SURFACE SAND SYSTEM
NOT TO SCALE



WARNER PLANNING BOARD CHAIRMAN:
DATE:

Table 4-3. Filter Mixtures

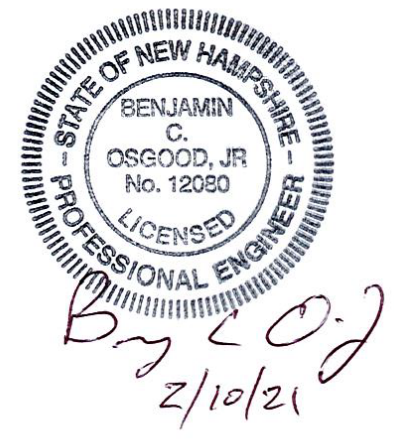
Component Material	Percent of Mixture by Volume	Sieve No.	Gradation of Material Percent by Weight Passing Standard Sieve
Filter Media Option A			
ASTM C-33 concrete sand	50 to 55		
Loamy sand topsoil, with fines as indicated	20 to 30	200	15 to 25
Moderately fine shredded bark or wood fiber mulch, with fines as indicated	20 to 30	200	< 5
Filter Media Option B			
Moderately fine shredded bark or wood fiber mulch, with fines as indicated	20 to 30	200	< 5
	70 to 80	10	85 to 100
Loamy coarse sand		20	70 to 100
		80	15 to 40
		200	8 to 15

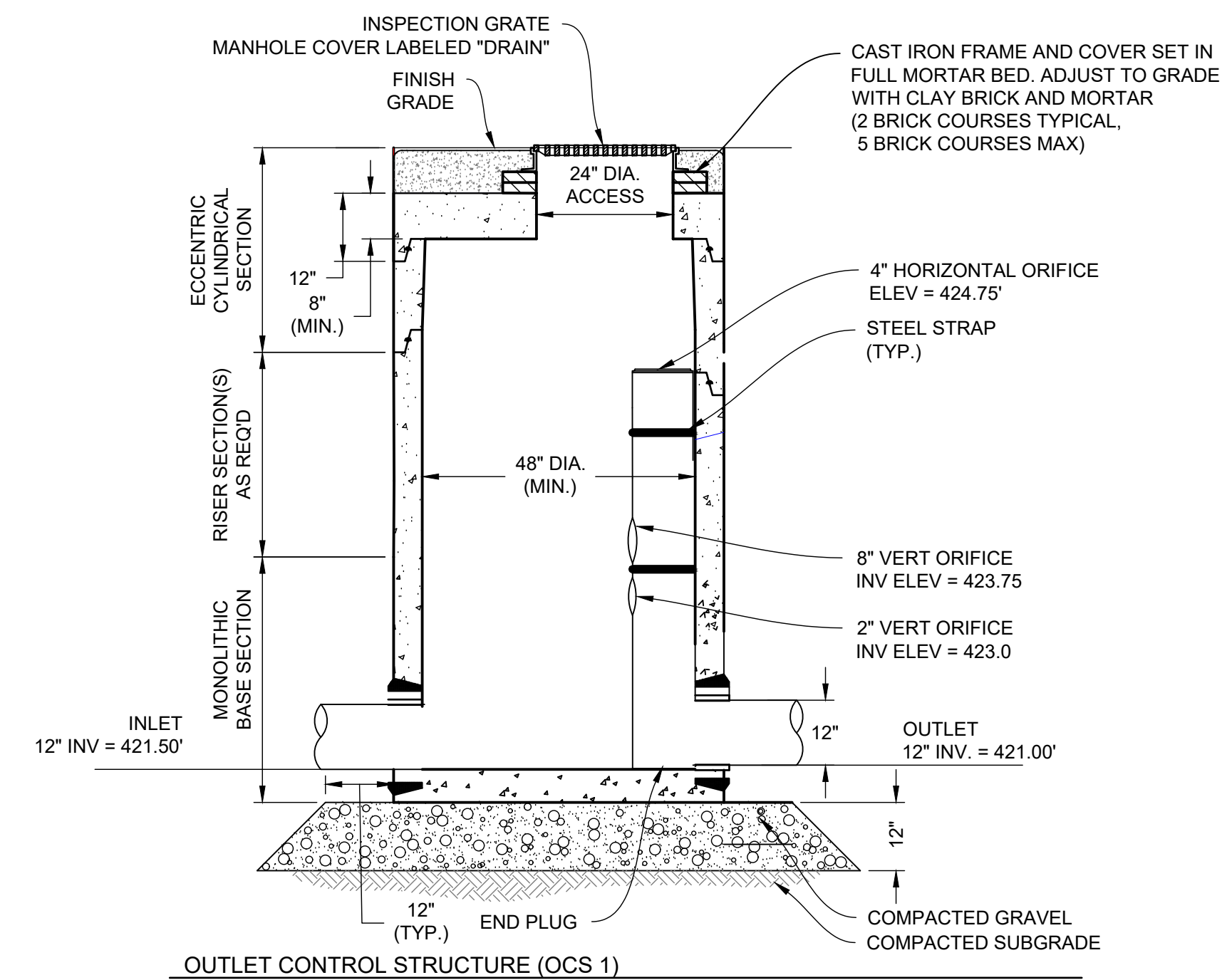
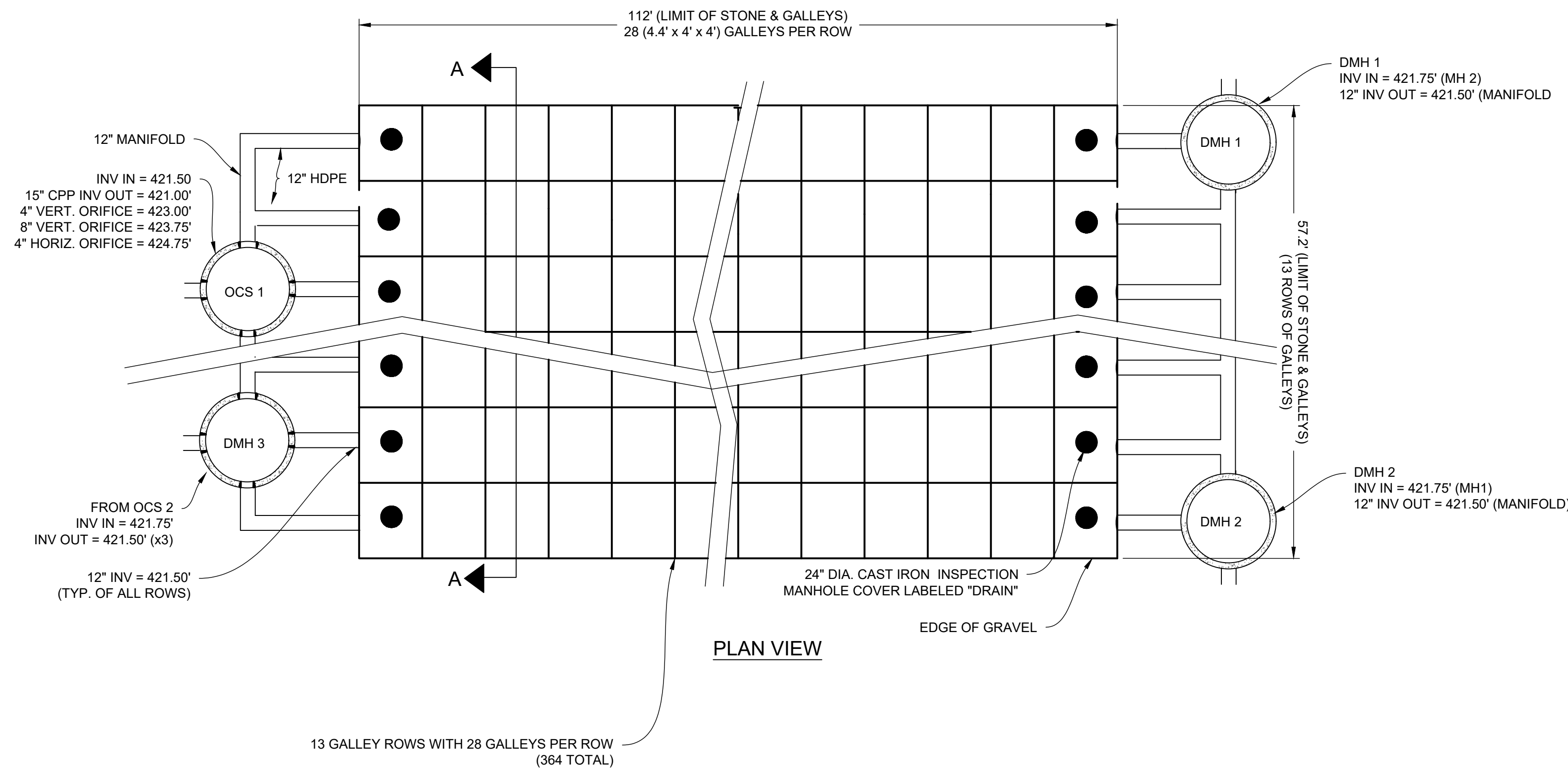
DATE	NO.	REVISIONS	BY
02/10/2021	1	09/14/2020 DES REVIEW COMMENTS	BCO
07/10/2020	1	FINAL REVIEW COMMENTS	BCO

SITE PLAN
ROUTE 103 WEST, WARNER NH,
ASSESSOR'S MAP 35 LOTS 4-1 & 4-2
OWNER: COMET, LLC
355 MIDDLESEX AVE, SUITE 7 WILMINGTON, MA 01887
DRAINAGE DETAILS
CS6021

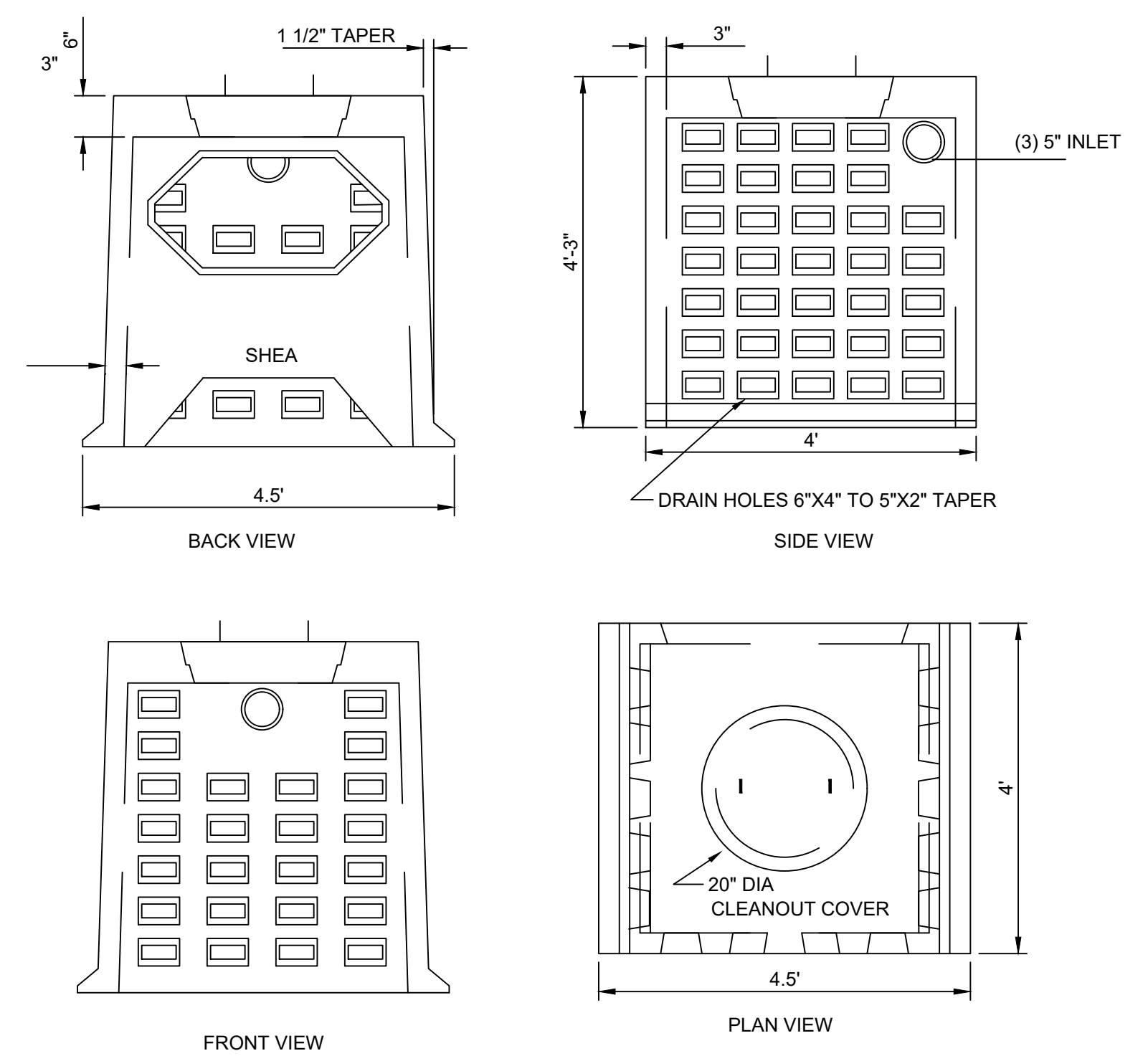
Ranger Engineering Group, Inc.
13 Branch Street, Suite 101
Methuen, MA 01844
Tel: 978-208-1762
rangereng.com

PROJECT STATUS: ... PLOTTED: 2/10/2021 11:56 AM BY: Dm Roderer PLOT STYLE: T11ENR.ACS 48 C:\PROJECTS\CARB-CHANNEL BUILDING\9-104-Warner\INDOESIGN_PUBLISH\PAANSET\CS6021.dwg

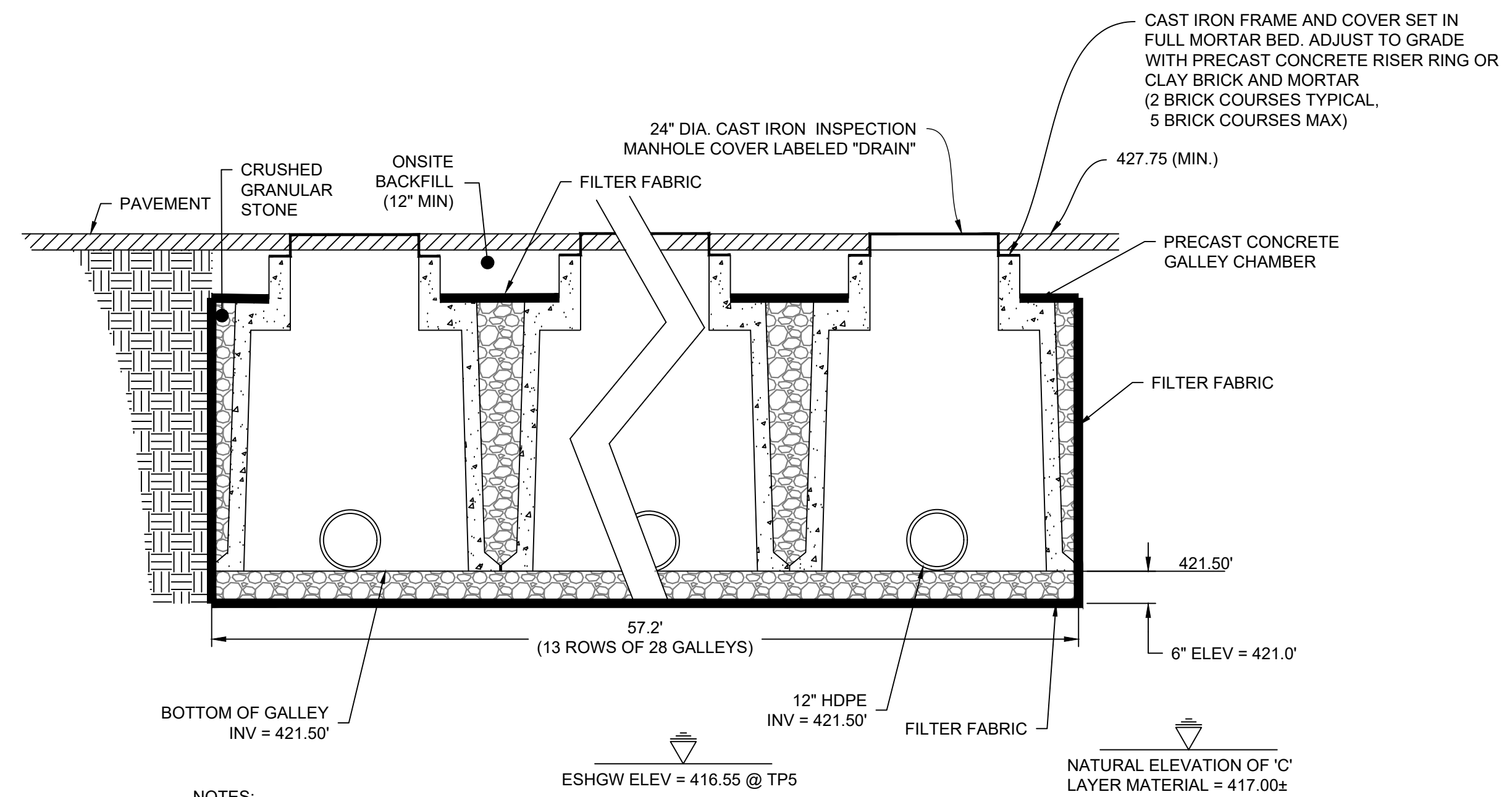




1 UNDERGROUND GALLEY STORMWATER STORAGE SYSTEM 3
NOT TO SCALE



2 TYPICAL 4'x4'x3' GALLEY (POND 3)
NOT TO SCALE



NOTES:

- EXISTING FILL MATERIAL BELOW THE PROPOSED INFILTRATION SYSTEM SHALL BE REMOVED TO APPROXIMATELY ELEVATION 417' TO EXPOSE THE NATURAL 'C' LAYER SOIL. SAND FILL WITH A HYDRAULIC CONDUCTIVITY RATE, AS VERIFIED BY IN PLACE TESTING, OF NO MORE THAN 10 INCHES PER HOUR SHALL BE USED TO REPLACE THE EXISTING FILL MATERIAL.
- TESTING SHALL BE PERFORMED AFTER FILL IS PLACED BUT BEFORE THE SYSTEM IS INSTALLED
- TEST SOIL IN ACCORDANCE WITH ENV-WQ 1504.14 BY A CPESC CERTIFIED SOIL SCIENTIST OR QUALIFIED ENGINEER USING A GUELPH PERMEAMETER.
- TEST SHALL BE PERFORMED AT MINIMUM 3 TIMES PER LOCATION. 7 FIELD TEST LOCATIONS REQUIRED (1 TEST PER 1,000 SF @ 6,400 SF)

NOTES:

- DO NOT TRAFFIC EXPOSED SOIL WITH CONSTRUCTION EQUIPMENT. IF FEASIBLE, PERFORM EXCAVATIONS OUTSIDE OF BASIN LIMITS.
- UPON COMPLETION OF EXCAVATION TO THE PROPOSED DEPTH, ROTO-TILL SOIL FOLLOWED BY A PASS WITH A LEVELING DRAG TO RESTORE INFILTRATION RATES
- DO NOT PLACE INTO SERVICE UNTIL CONTRIBUTING AREAS HAVE BEEN STABILIZED

SECTION A-A
NOT TO SCALE

WARNER PLANNING BOARD CHAIRMAN:

DATE:



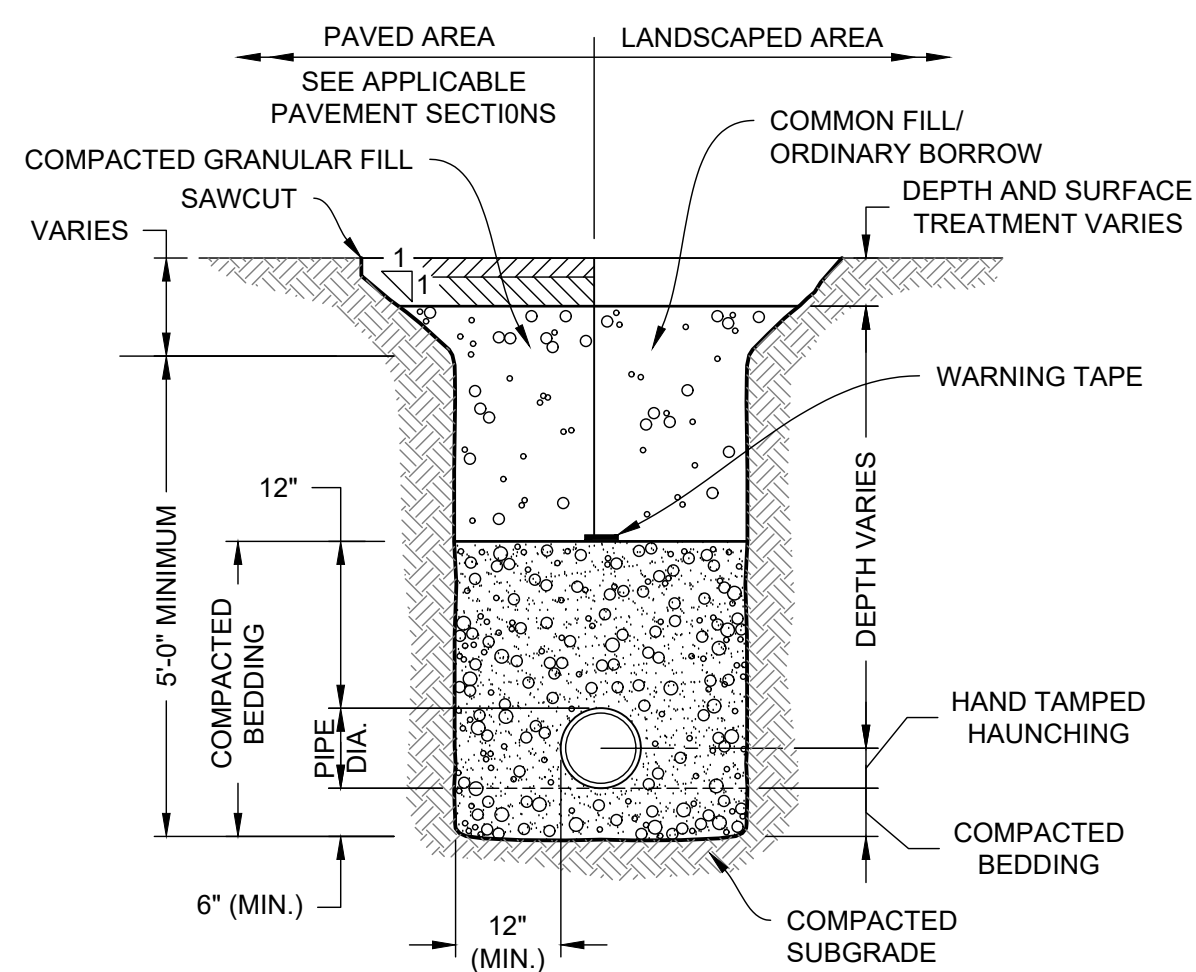
DATE	NO.	REVISIONS	BY
02/10/2021	1	09/14/2020 DES REVIEW COMMENTS	BCO
07/10/2020	1	FINAL REVIEW COMMENTS	BCO

SITE PLAN
ROUTE 103 WEST, WARNER NH,
ASSESSOR'S MAP 35 LOTS 4-1 & 4-2

OWNER: COMET, LLC
355 MIDDLESEX AVE, SUITE 7 WILMINGTON, MA 01887

STORMWATER STORAGE SYSTEM DETAILS
CS6022

Ranger Engineering Group, Inc.
13 Branch Street, Suite 101
Methuen, MA 01844
Tel: 978-208-1762
rangereng.com



- NOTES:**
- WHERE UTILITY TRENCHES ARE CONSTRUCTED THROUGH DETENTION BASIN BERMS OR OTHER SUCH SPECIAL SECTIONS, PLACE TRENCH BACKFILL WITH MATERIALS SIMILAR TO THE SPECIAL SECTION REQUIREMENTS.
 - USE METALLIC TRACING/WARNING TAPE OVER ALL PIPES.

TABLE OF DIMENSIONS

BENDS	B	C	D	E	F	BENDS	B	C	D	E	F	
6"	11 1/4"	8"	15"	12"	24"	12"	6"	45"	8"	30"	12"	14"
6"	22 1/2"	-	19"	-	-	13"	6"	90"	-	30"	-	27"
8"	11 1/4"	-	20"	-	-	12"	8"	45"	-	30"	-	24"
8"	22 1/2"	-	22"	-	-	17"	8"	90"	-	38"	-	36"
12"	11 1/4"	-	30"	-	-	15"	12"	45"	-	40"	-	40"
12"	22 1/2"	-	35"	-	-	25"	12"	90"	-	60"	-	52"

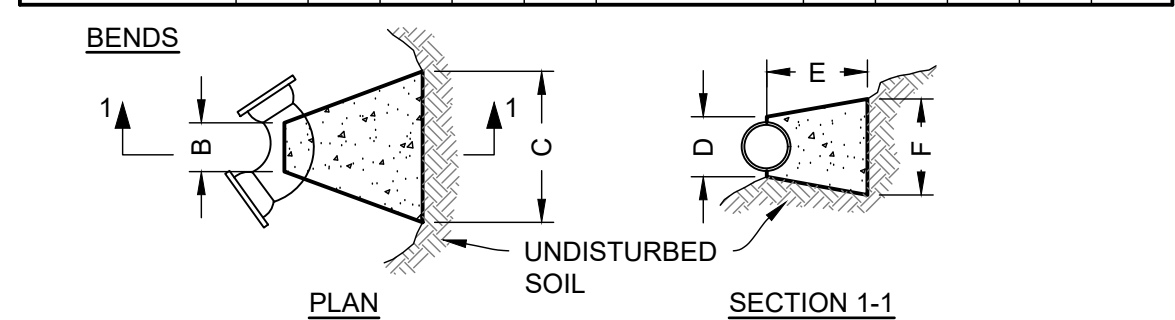
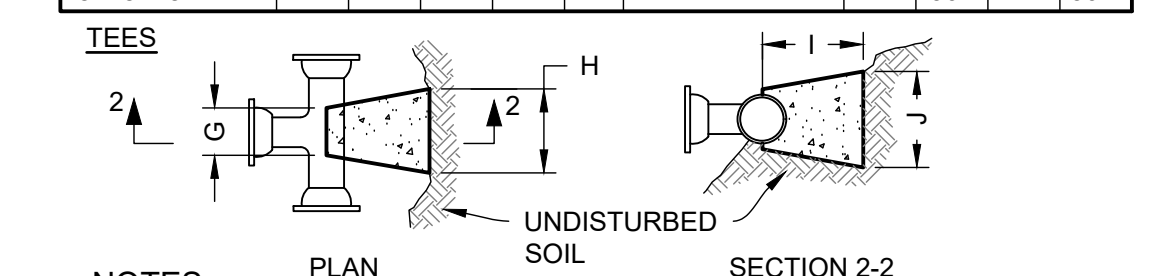
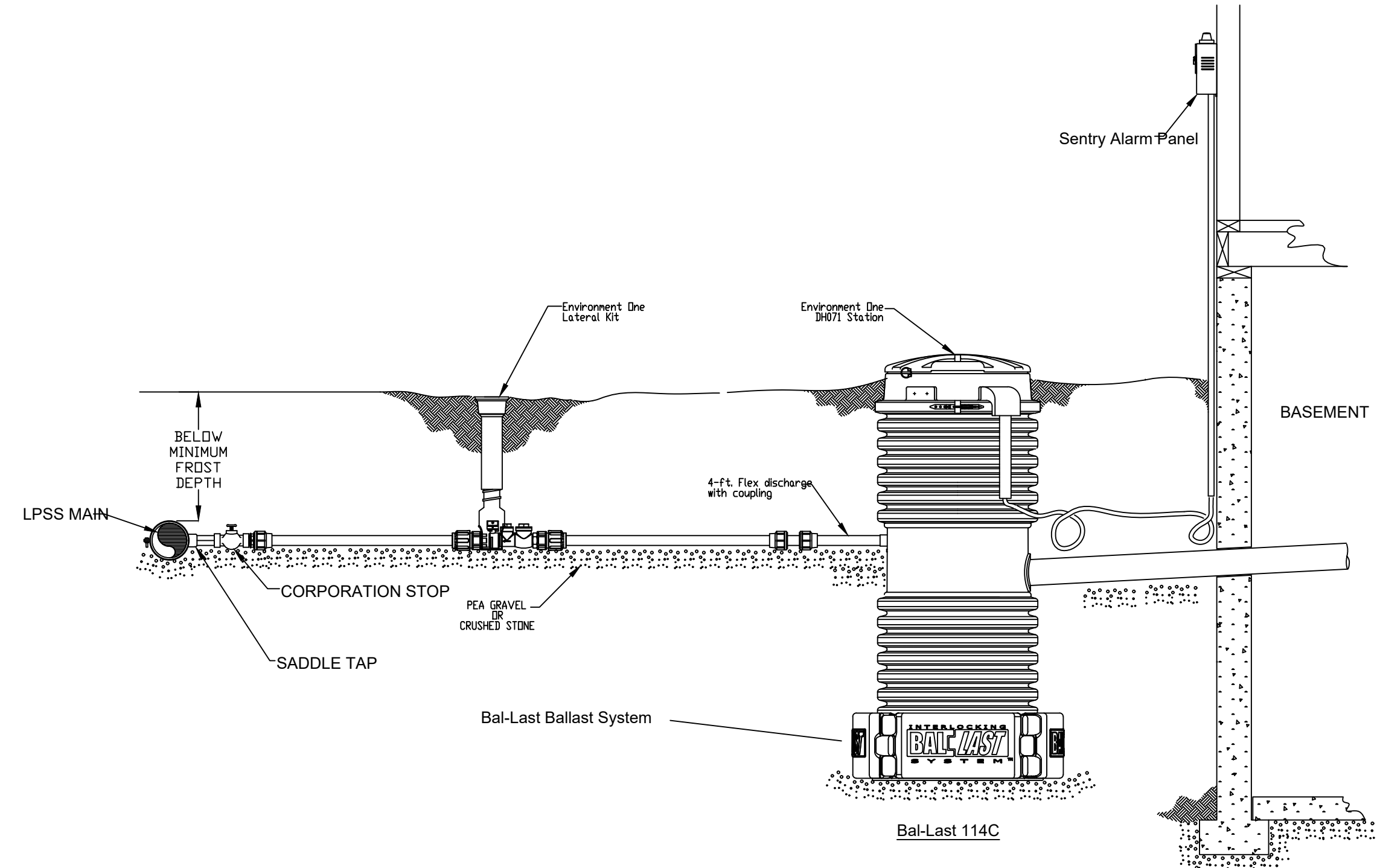


TABLE OF DIMENSIONS

TEES	G	H	I	J	TEES	G	H	I	J
6"x 6"x 6"	12"	24"	24"	18"	12"x 12"x 6"	12"	24"	24"	18"
8"x 8"x 6"	-	-	-	-	12"x 12"x 8"	-	-	-	24"
8"x 8"x 8"	-	-	-	24"	12"x 12"x 12"	-	36"	-	36"



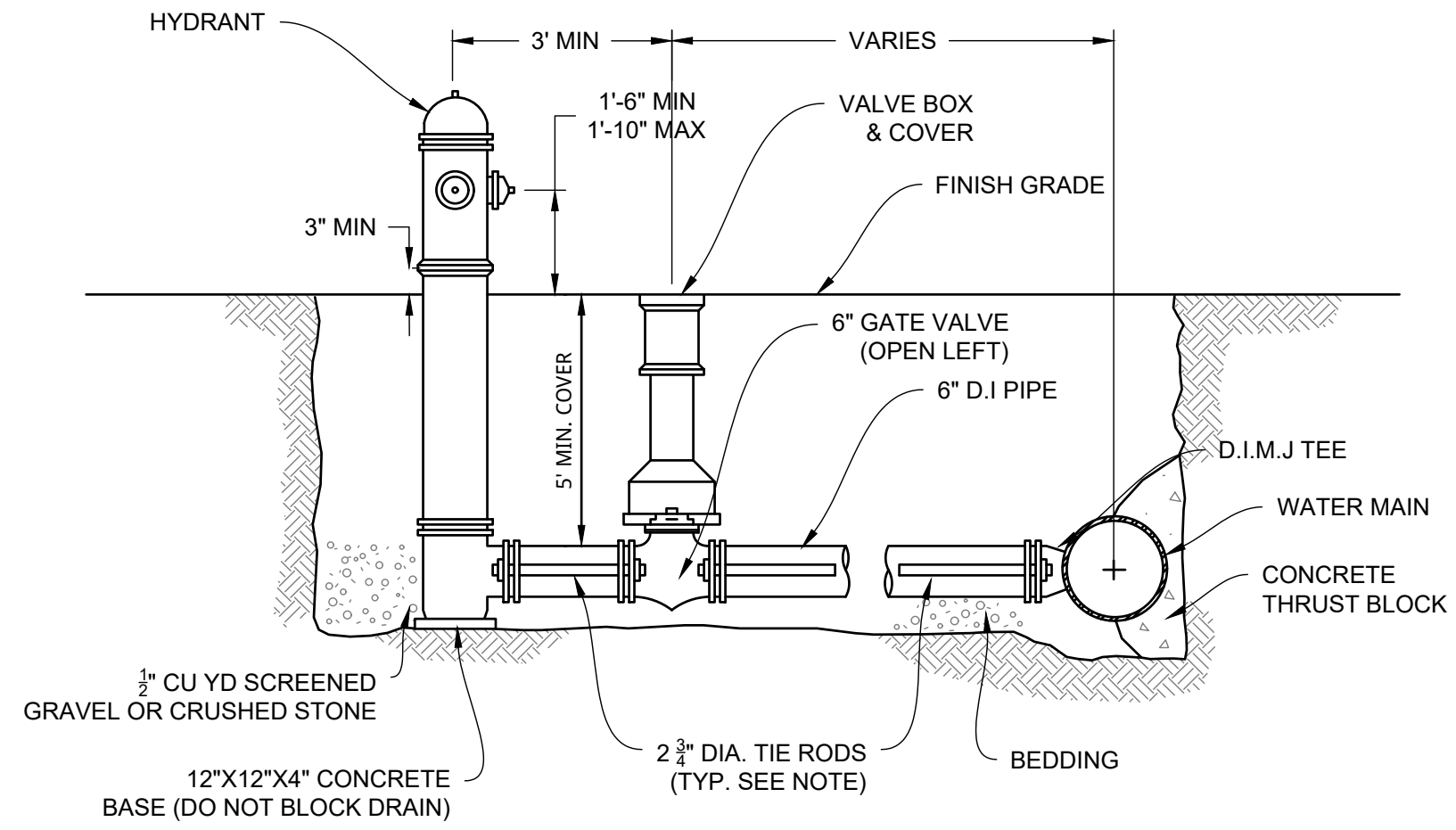
- NOTES:**
- PROVIDE BLOCKS FOR TAPPING SLEEVES, DEAD ENDS, GATE VALVES, AND VERTICAL BENDS (SAME SIZE AS REQUIRED FOR TEES). PROVIDE ANCHOR RODS AT VERTICAL BENDS AND GATE VALVES.
 - CONCRETE SHALL NOT BE PLACED AGAINST PIPE BEYOND FITTING.
 - CONCRETE SHALL BE 3000 PSI-TYPE I.



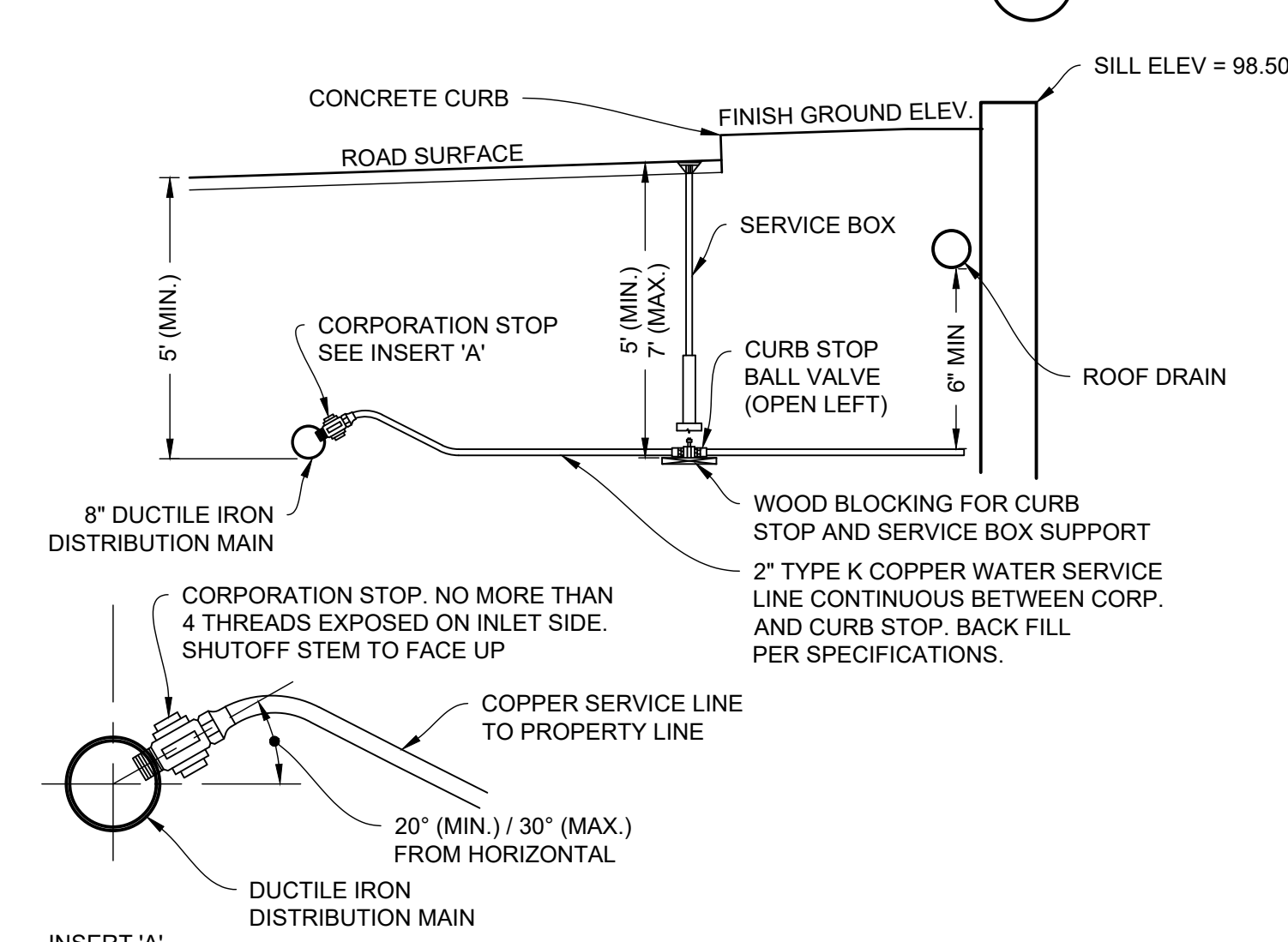
1 WATER TRENCH
NOT TO SCALE

2 CONCRETE THRUST BLOCK
NOT TO SCALE

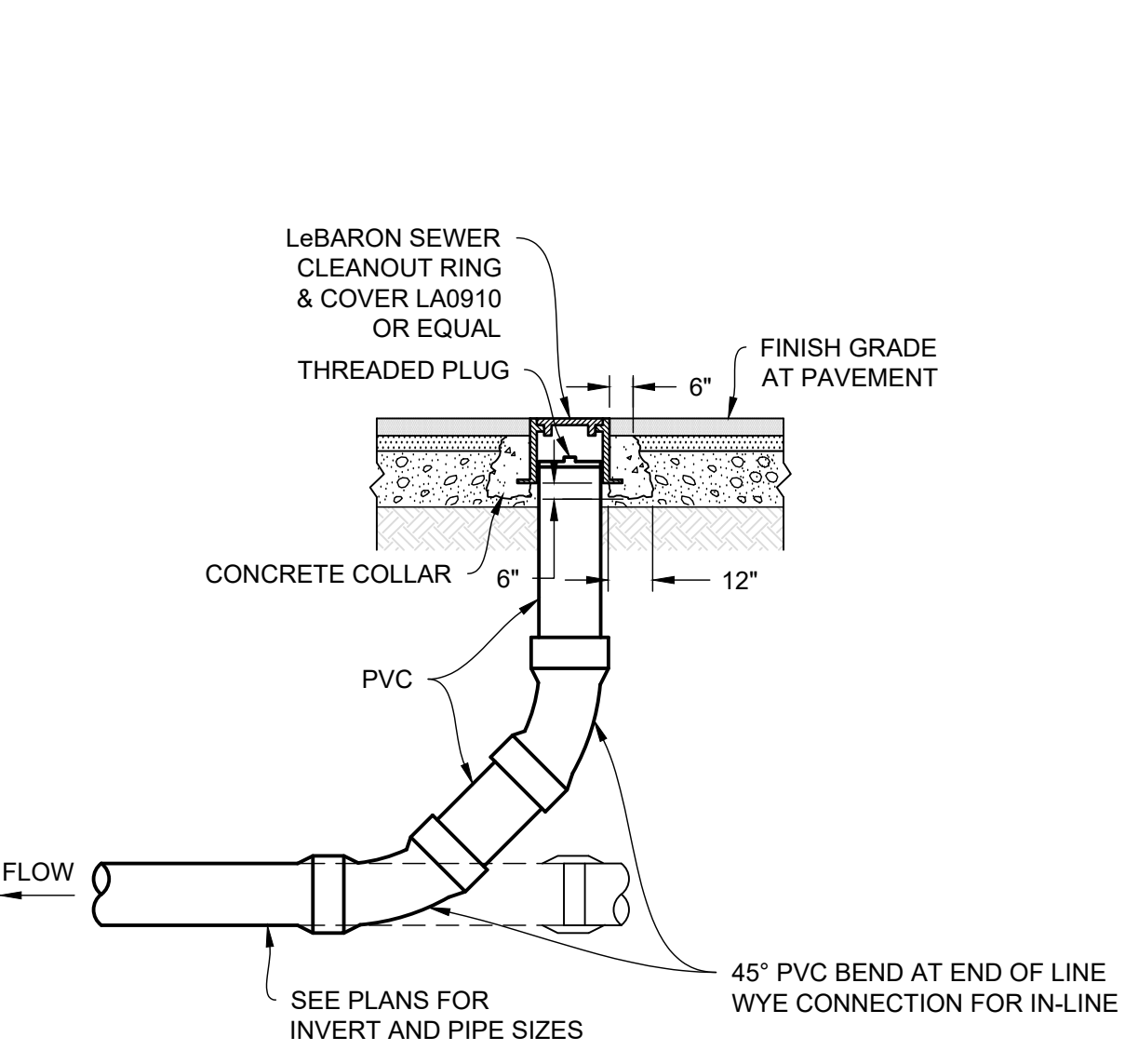
3 TYPICAL E/ONE PUMP AND BALLAST INSTALLATION
NOT TO SCALE



- NOTES:**
- CONTINUE TIE RODS TO MAIN OR AT LEAST 20' ALONG HYDRANT LATERAL.
 - HYDRANT AND VALVE TO OPEN LEFT

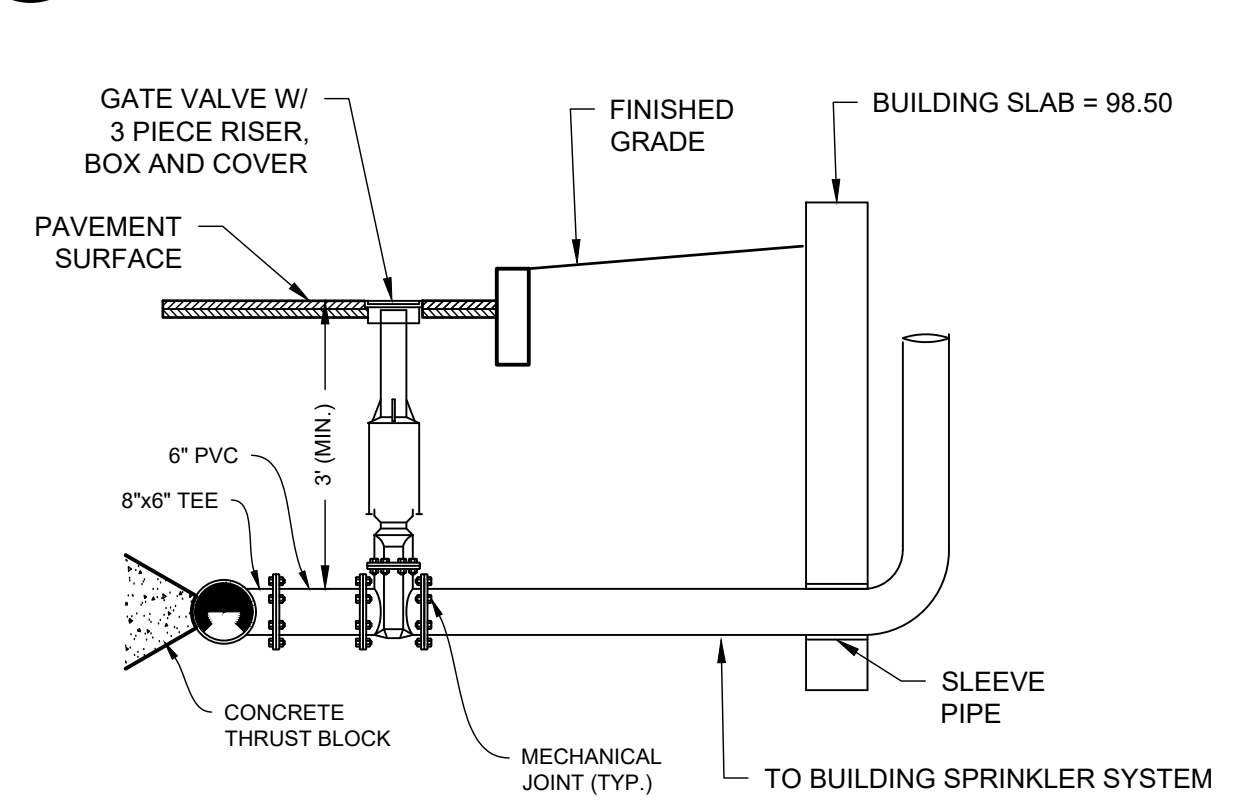


5 WATER SERVICE INSTALLATION
NOT TO SCALE

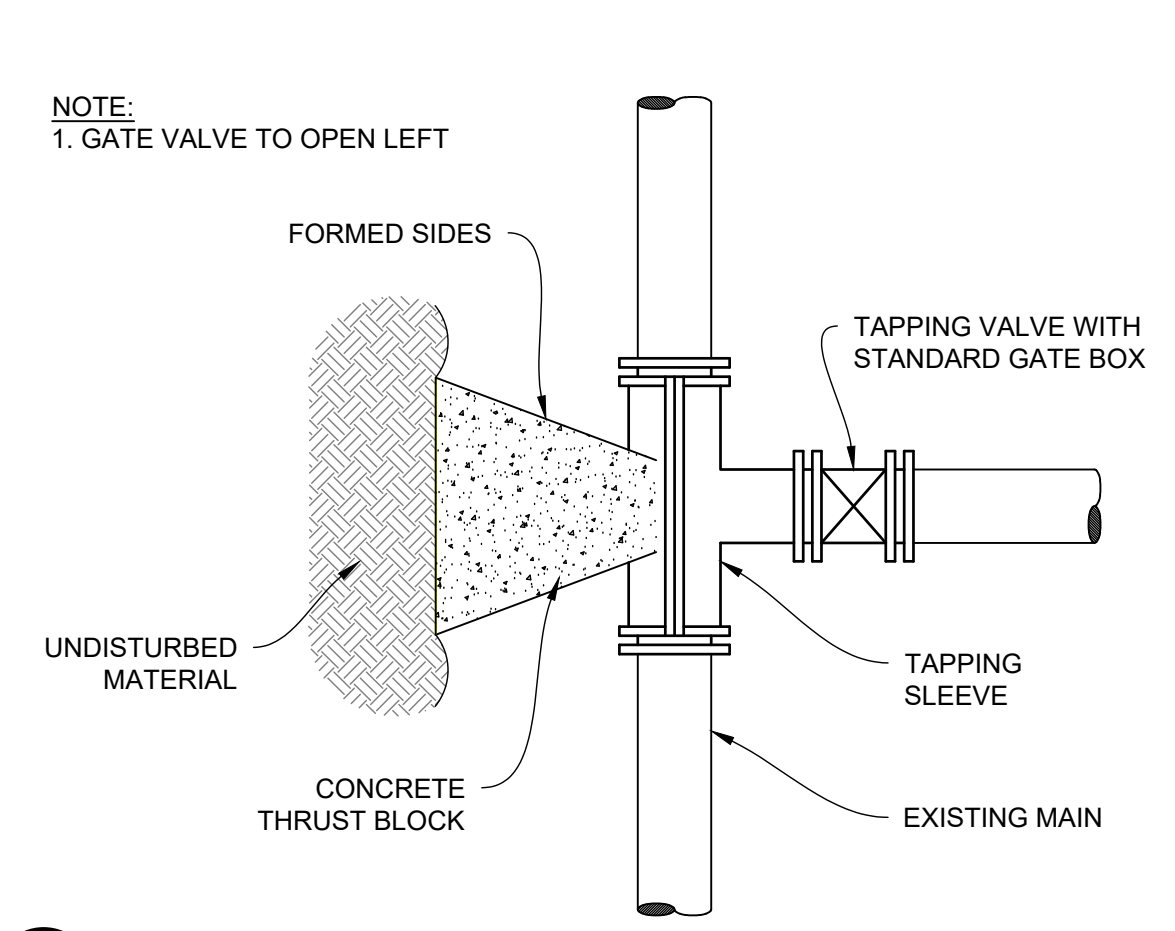


6 SEWER CLEANOUT - PAVED AREA
NOT TO SCALE

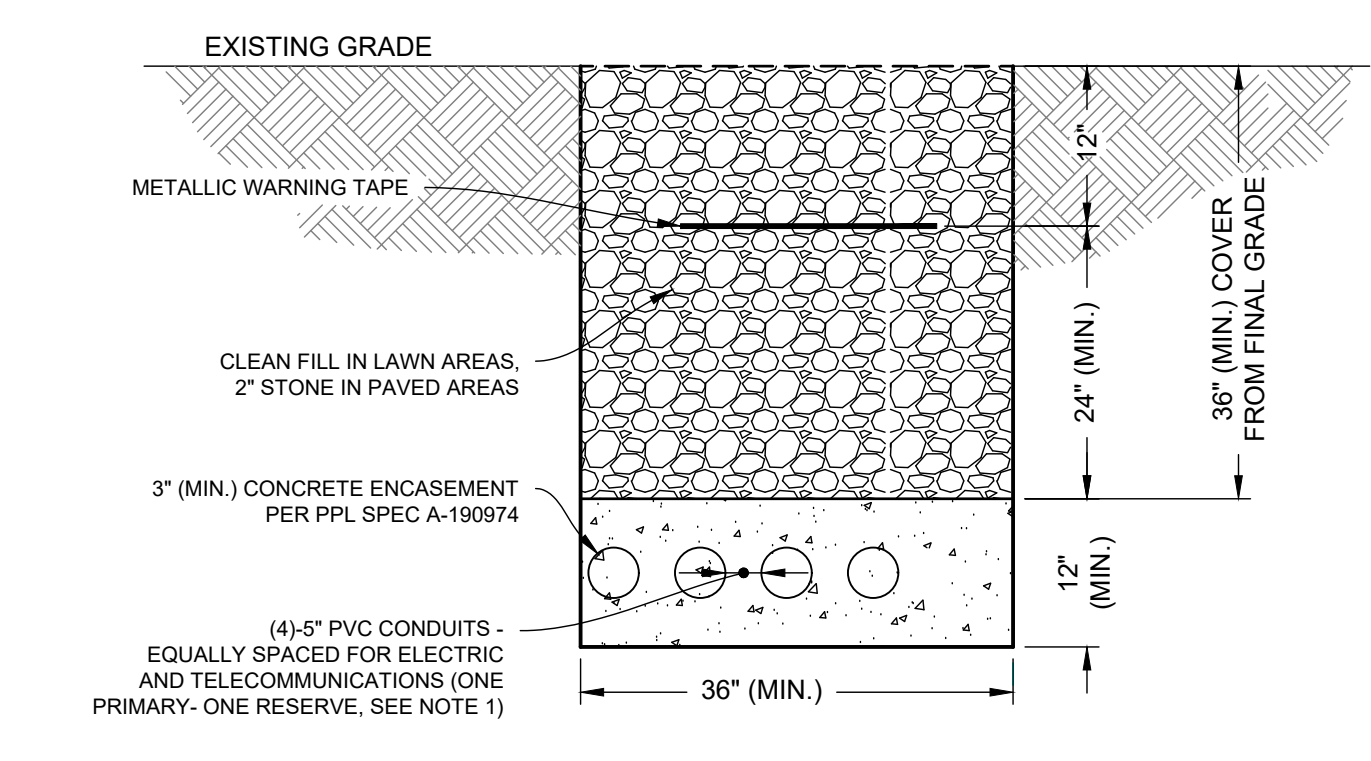
4 HYDRANT
NOT TO SCALE



7 SPRINKLER CONNECTION DETAIL
NOT TO SCALE

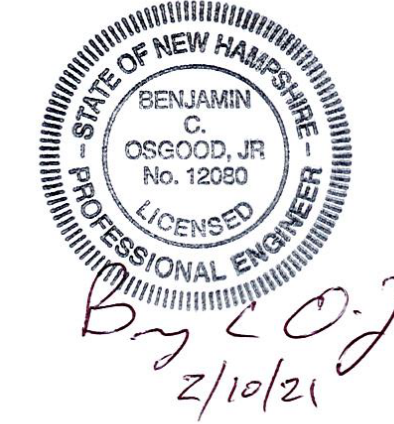


8 TAPPING SLEEVE & VALVE CONNECTION
NOT TO SCALE



- NOTE:**
- ADD ONE ADDITIONAL 5" CONDUIT WHERE FIRE ALARM (FA) IS DESIGNATED ON UTILITY PLANS.

9 ELECTRIC/ TELECOMMUNICATION DUCT BANK
NOT TO SCALE



WARNER PLANNING BOARD CHAIRMAN:

DATE: _____

DATE	NO.	REVISIONS	BY
02/10/2021	1	09/14/2020 DES REVIEW COMMENTS	BCO
07/10/2020	1	FINAL REVIEW COMMENTS	BCO

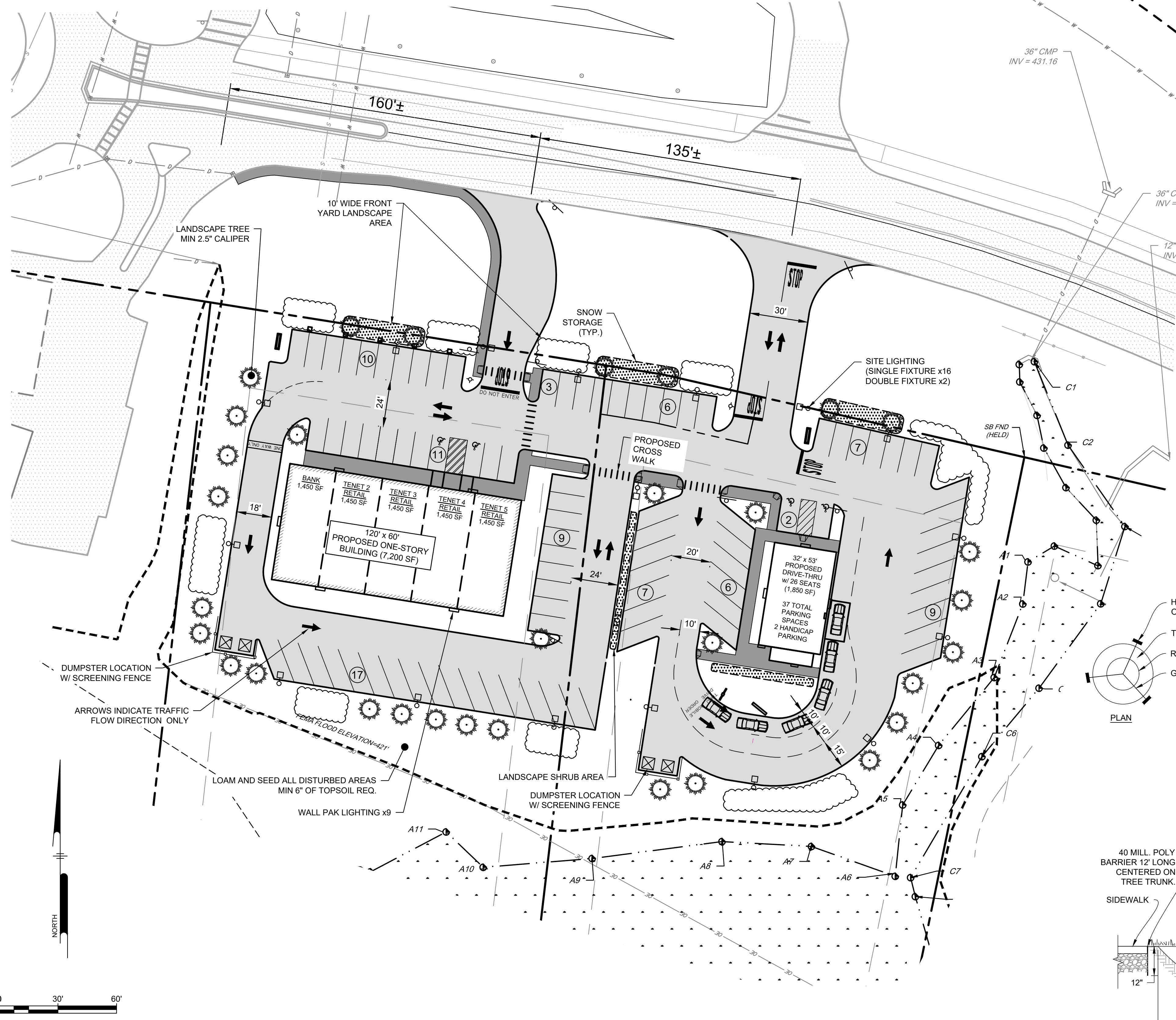
SITE PLAN
ROUTE 103 WEST, WARNER NH,
ASSESSOR'S MAP 35 LOTS 4-1 & 4-2

OWNER: COMET, LLC
355 MIDDLESEX AVE, SUITE 7 WILMINGTON, MA 01887

UTILITY DETAILS
CS6051

Ranger Engineering Group, Inc.
13 Branch Street, Suite 101
Methuen, MA 01844
Tel: 978-208-1762
rangereng.com

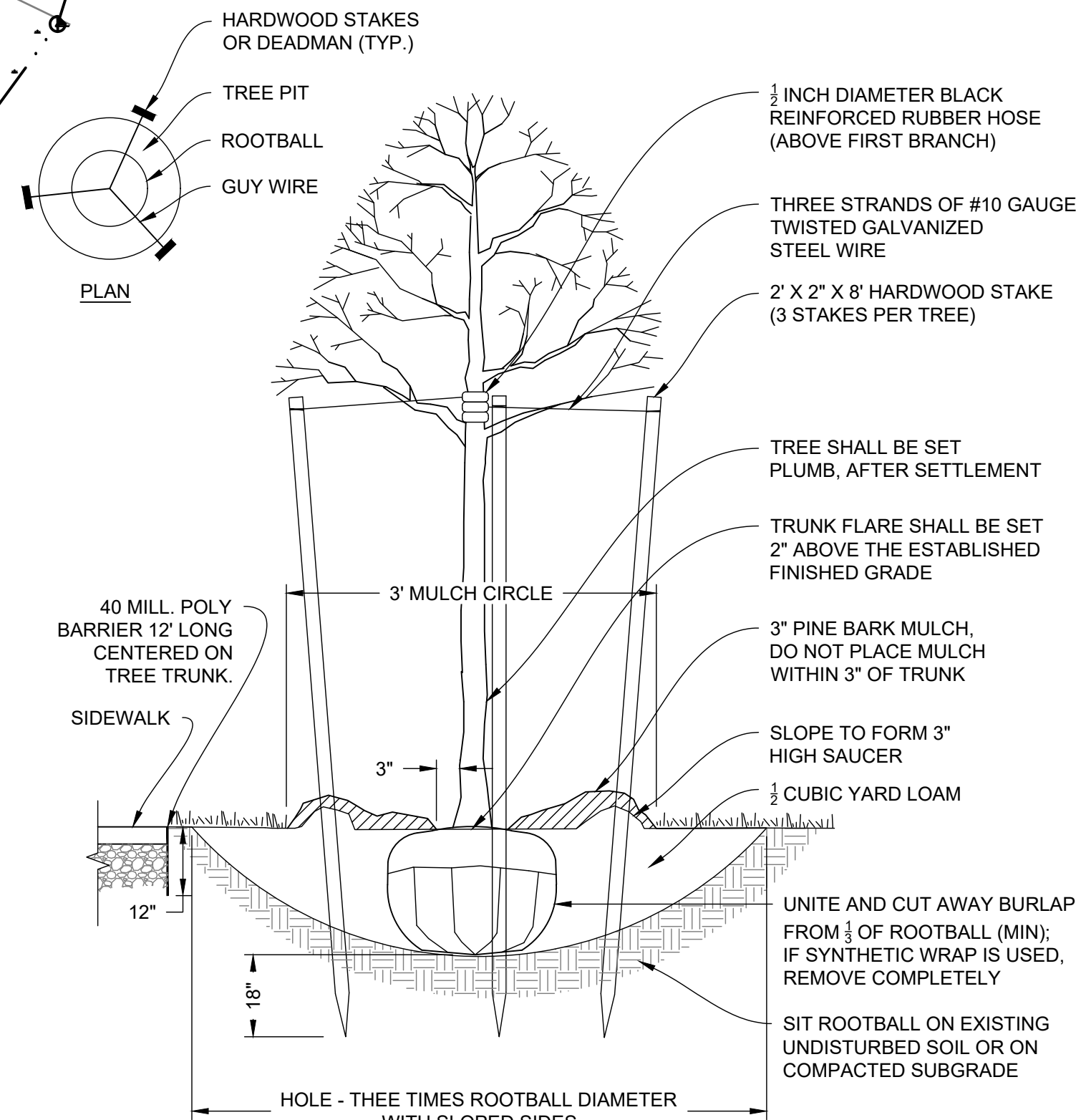
DATE: 2020-05-06
SCALE: 1" = 30'
SHEET 13 OF 17



WETLAND SEED MIX		
COMMON NAME	AMOUNT	SUPPLIER
NEW ENGLAND CONSERVATION/WILDLIFE MIX	1.0 LB./1750 S.F.	NEW ENGLAND WETLAND PLANTS, INC

APPROVED TREE SPECIES		
SCIENTIFIC NAME	COMMON NAME	
CARPINUS CAROLINIANA	AMERICAN HORNBEAM	
PICEA GLAUCA	WHITE SPRUCE	
JUNIPERUS VIRGINIANA	RED CEDAR	
ACER RUBRUM	RED MAPLE	
QUERCUS RUBRA	CRAB APPLE	
QUERCUS ALBA	WHITE OAK	
PINUS STROBUS	WHITE PINE	

APPROVED SHRUB SPECIES		
SCIENTIFIC NAME	COMMON NAME	
VIBURNUM DENTATUM	ARROWWOOD VIBURNUM	
SPIREA BETULIFOLIA	WHITE SPIREA	
ILEX GLABRA	EVERGREEN WINTERBERRY	
RHODODENDRON FERRUGINEUM	RHODODENDRON	
BUXUS MICROPHYLLA	WINTERGEM BOXWOOD	
CORNUS ALTERNIFOLIA	ALTERNATE LEAVED DOGWOOD	



1 TREE PLANTING (FOR 2" CALIPER 12' TALL TREES)
NOT TO SCALE

WARNER PLANNING BOARD CHAIRMAN:

DATE:

DATE	NO.	REVISIONS	BY
02/10/2021	1	09/14/2020 DES REVIEW COMMENTS	BCO
07/10/2020	1	FINAL REVIEW COMMENTS	BCO

SITE PLAN
ROUTE 103 WEST, WARNER NH,
 ASSESSOR'S MAP 35 LOTS 4-1 & 4-2

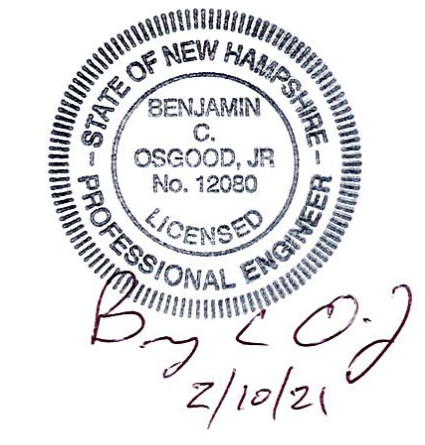
OWNER: COMET, LLC
 355 MIDDLESEX AVE, SUITE 7 WILMINGTON, MA 01887

LANDSCAPE & LIGHTING PLAN
CS7001

Ranger Engineering Group, Inc.
 13 Branch Street, Suite 101
 Methuen, MA 01844
 Tel: 978-208-1762
 rangereng.com




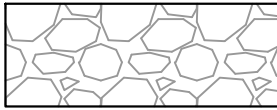
- PERFORMANCE SPECIFICATIONS**
- CLEAN AND GRUB TOP SOIL OF ALL UNSUITABLE MATERIALS INCLUDING BUT NOT LIMITED TO STUMPS, ROOTS, TRASH, AND ROCKS AND STOCKPILE FOR RE-USE. SOILS WITH INVASIVE SPECIES SHALL BE DISPOSED OF OFF SITE.
 - AFTER SLOPES AND PONDS HAVE BEEN INSTALLED, LOAM AND SEED USING NEW ENGLAND CONSERVATION/ WILDLIFE MIX. A MINIMUM 6" OF TOPSOIL IS REQUIRED.
 - UPON COMPLETION OF PAVING AND ALL SITE WORK, OPEN SPACE AREAS ARE TO BE MULCHED/SEEDED AND LANDSCAPE PLANTS/SHRUBS ARE TO BE PLANTED.
 - WITHIN ONE YEAR OF PLANTING, ALL DEAD, DYING, OR DISEASED VEGETATION SHALL BE PROMPTLY REPLACED, BASED ON SEASONAL PLANTING PRACTICES, WITH HEALTHY PLANTS IN ALL REQUIRED LANDSCAPE AREAS.

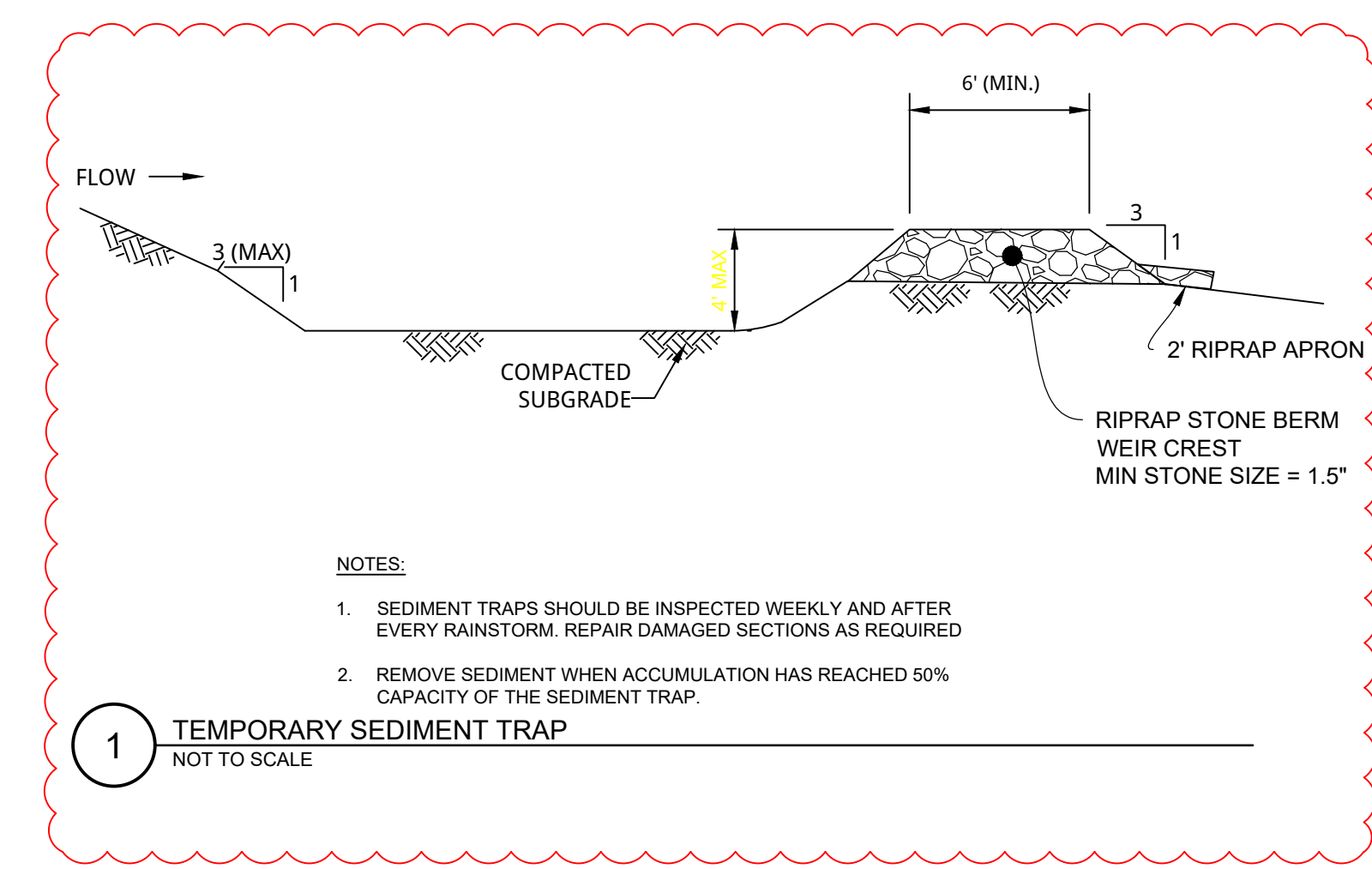
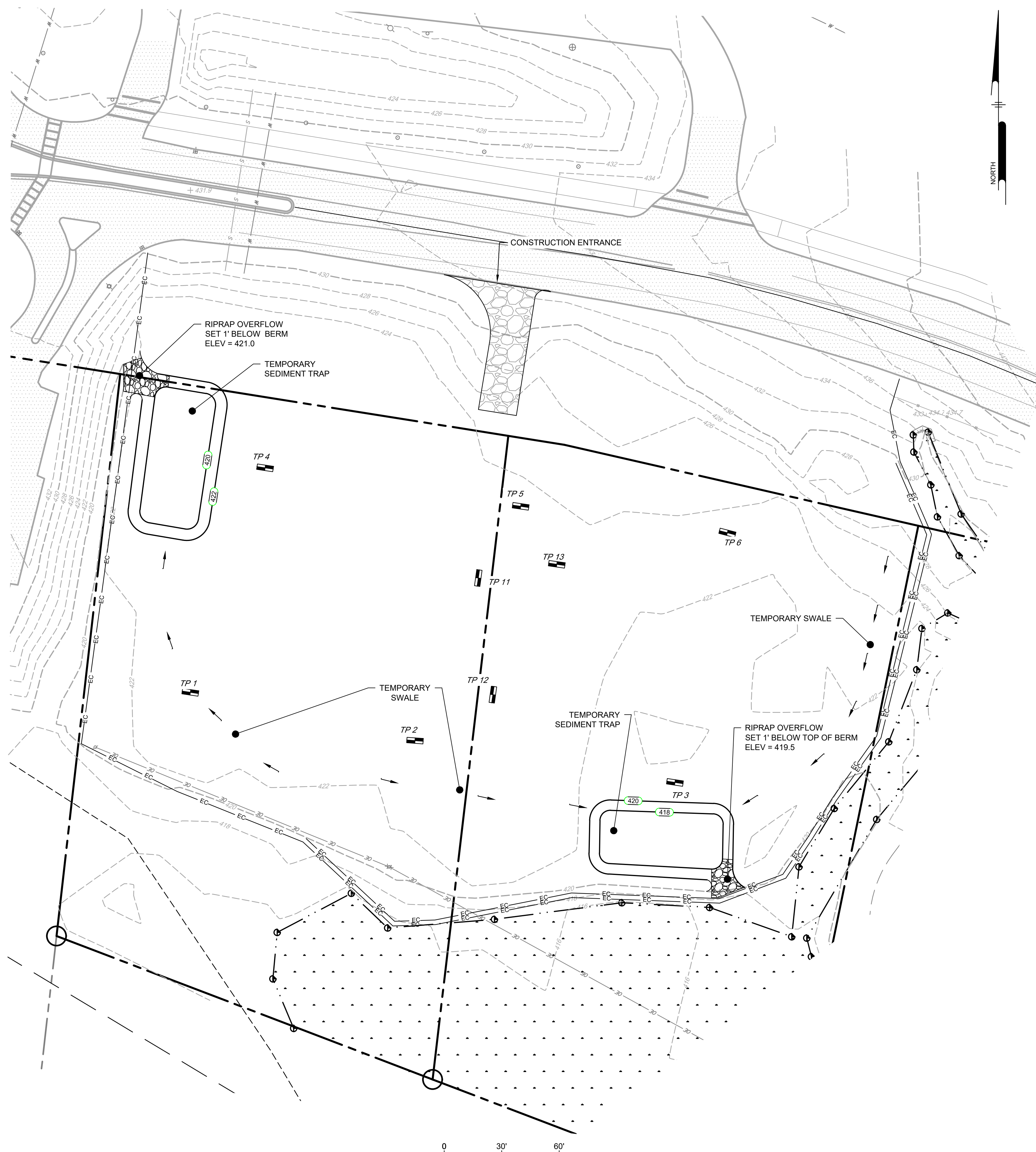
- LANDSCAPE NOTES:**
- A MINIMUM OF ONE SHADE TREE AND (5) SHRUBS PER 900 SQUARE FEET OF LANDSCAPE AREA
 - DECIDUOUS TREES SHALL BE MIN 2.5" CALIPER AND 12' IN HEIGHT.
 - EVERGREEN TREES SHALL BE MIN 8" TALL.
 - SHRUBS SHALL BE MIN 2' TALL.
 - LOAM AND SEED ALL DISTURBED AREAS TO A MIN DEPTH OF 4". RE-USE TOPSOIL WHERE APPLICABLE.
 - WHERE SLOPES ARE 33% OR GREATER, DEEP ROOTED SPECIES SHALL BE PLANTED TO PREVENT EROSION.
 -



PLOTTED: 2/10/2021 11:58 AM BY: O.R. Roderer PLOT STYLE: T11ENR.ACS.#9
 PROJECT STATUS: ---
 C:\PROJECTS\CHBC_CHANNEL BUILDING\9-104 - Warner IND DESIGN_PUBLISH\PLANSET\CS7001.dwg

LEGEND

-  CHECK DAM WITH EROSION CONTROL
-  EROSION CONTROL FENCE/SILT SOCK
-  SILT/SEDIMENT TRAP
-  CONSTRUCTION ENTRANCE



DATE	NO.	REVISIONS	BY
02/10/2021	1	09/14/2020 DES REVIEW COMMENTS	BCO
07/10/2020	1	FINAL REVIEW COMMENTS	BCO

SITE PLAN
ROUTE 103 WEST, WARNER NH,
 ASSESSOR'S MAP 35 LOTS 4-1 & 4-2

OWNER: COMET, LLC
 355 MIDDLESEX AVE, SUITE 7 WILMINGTON, MA 01887

EROSION CONTROL PLAN - PHASE 1
CS8001

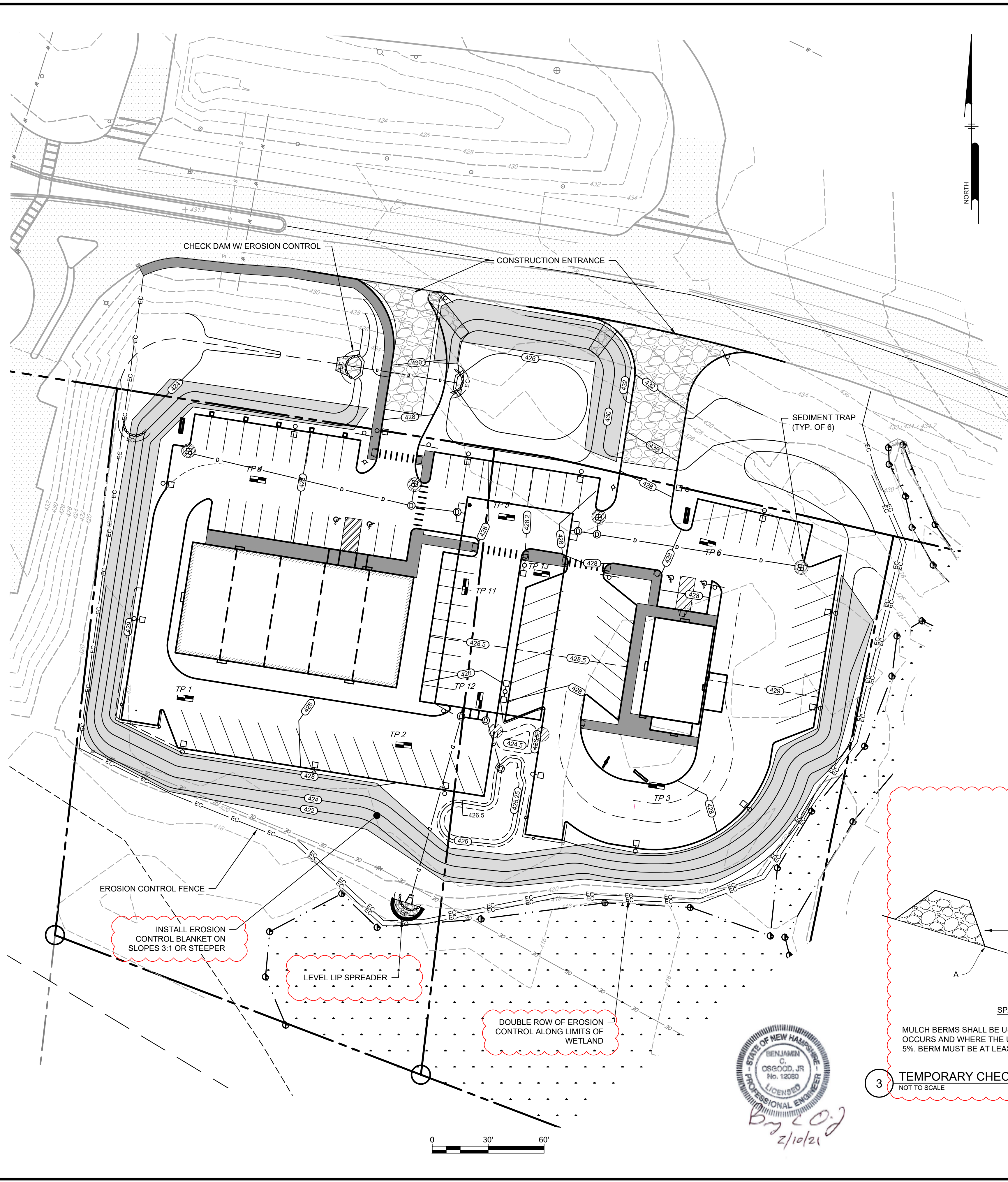
Ranger Engineering Group, Inc.
 13 Branch Street, Suite 101
 Methuen, MA 01844
 Tel: 978-208-1762
 rangereng.com




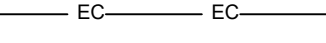


WARNER PLANNING BOARD CHAIRMAN: _____

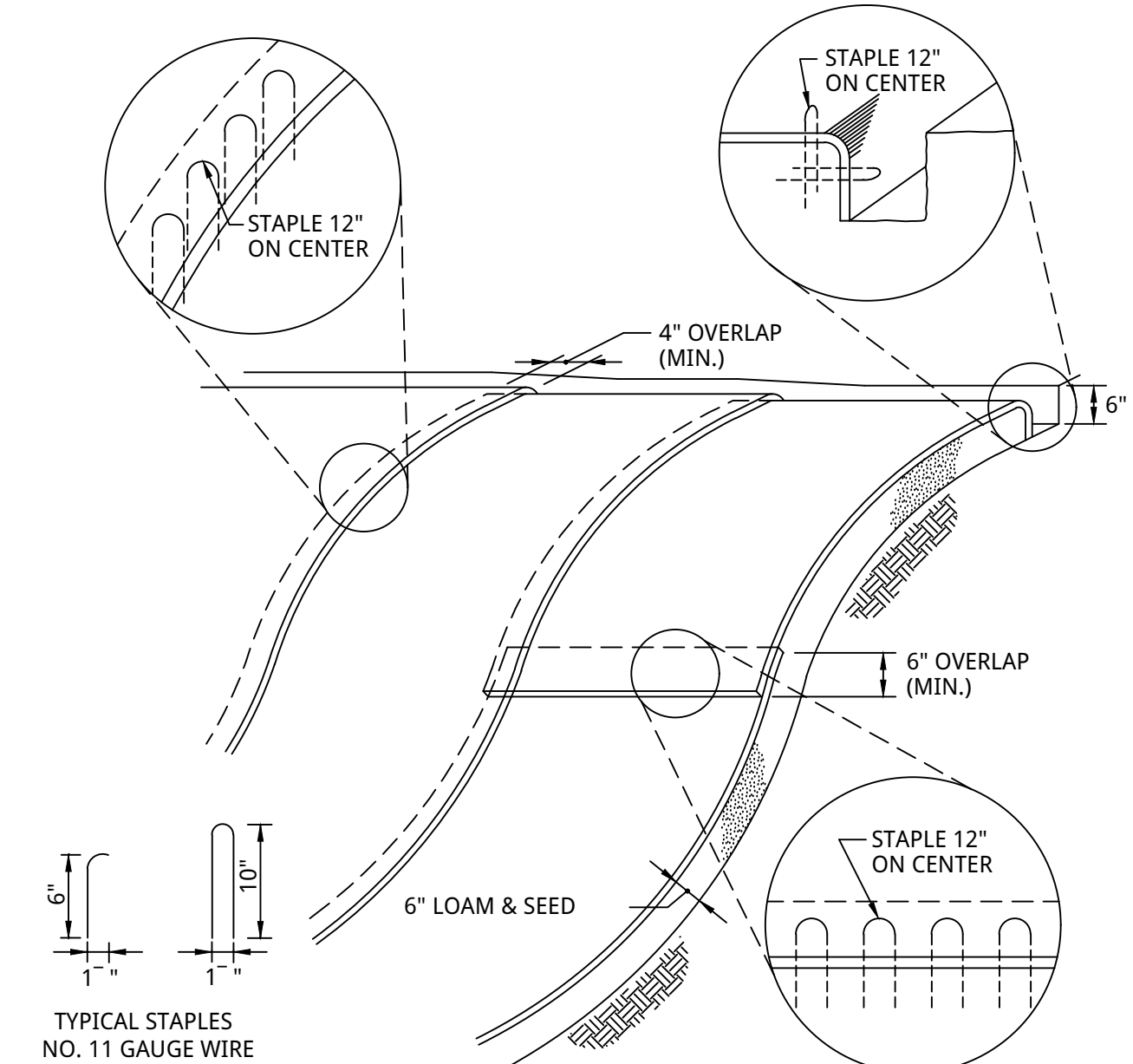
DATE: _____

PLOTTED: 2/10/2021 1:58 PM BY: Qin Eichler PLOTSTYLE: PROJECT STATUS: CS8001.dwg



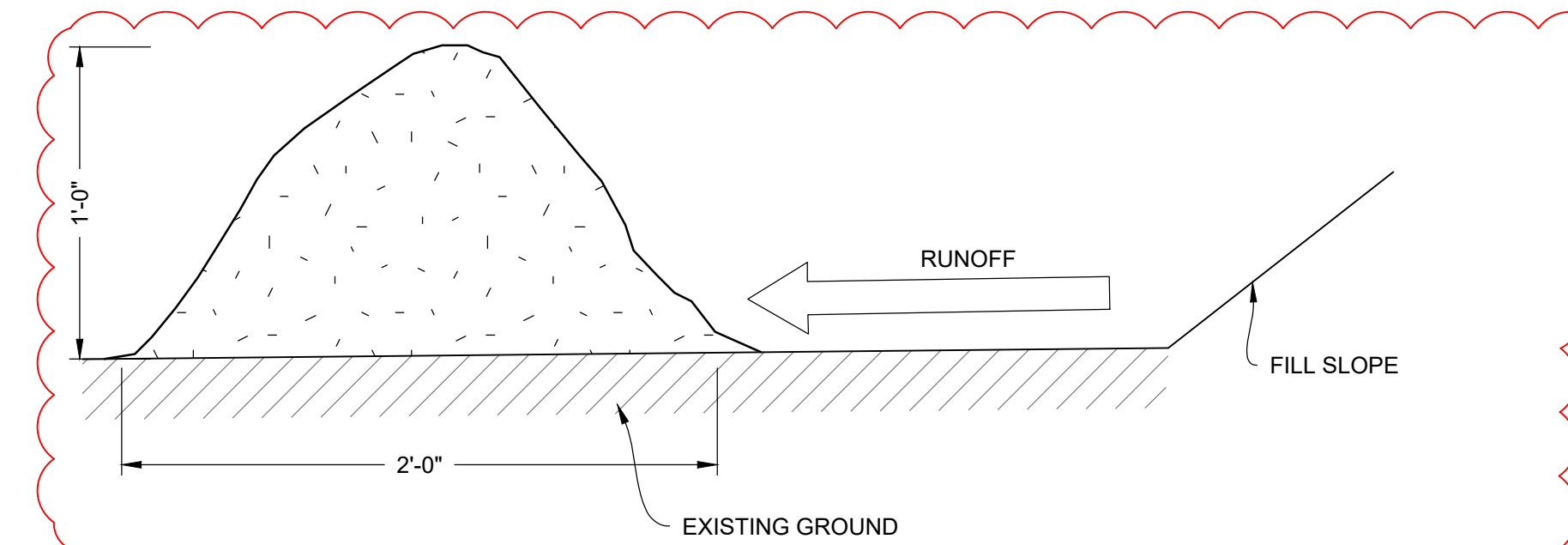
LEGEND

-  CHECK DAM WITH EROSION CONTROL
-  EROSION CONTROL FENCE/SILT SOCK
-  SILT/SEDIMENT RAP
-  CONSTRUCTION ENTRANCE

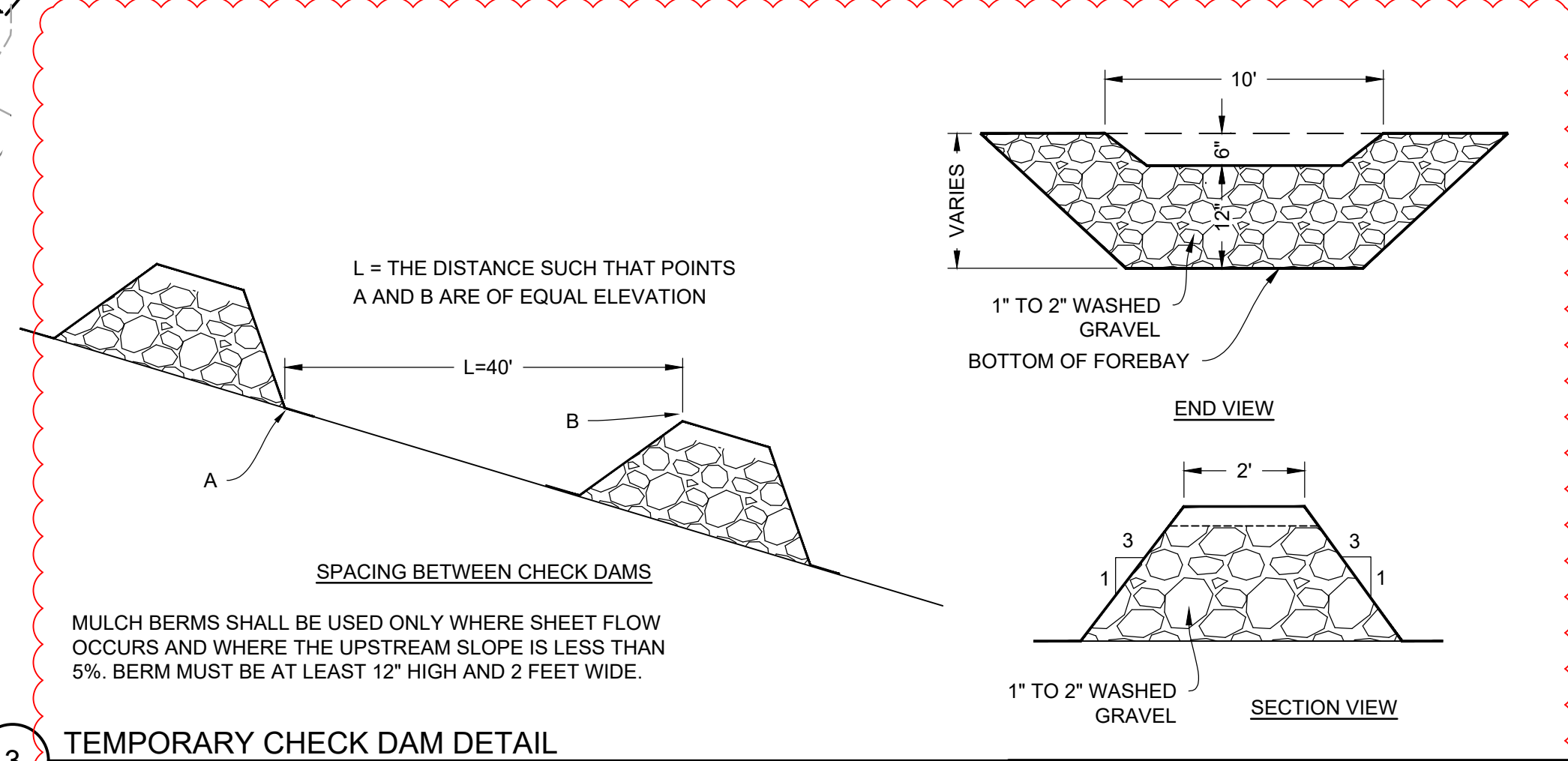


- Notes:**
- BEGIN AT THE TOP OF BLANKET INSTALLATION AREA BY ANCHORING BLANKET IN A 6" DEEP TRENCH BACKFILL AND COMPACT TRENCH AFTER STAPLING.
 - ROLL THE BLANKET DOWN THE SWALE IN THE DIRECTION OF THE WATER FLOW. THE EDGES OF BLANKETS MUST BE STAPLED WITH APPROX. 4 INCH OVERLAP WHERE 2 OR MORE STRIP WIDTHS ARE REQUIRED.
 - WHEN BLANKETS MUST BE SPLICED DOWN THE SWALE, PLACE UPPER BLANKET END OVER LOWER END WITH 6 INCH (MIN.) OVERLAP AND STAPLE BOTH TOGETHER.
 - EROSION CONTROL BLANKET SHALL NOT CONTAIN PLASTIC MESH. NATURAL FIBER BIODEGRADABLE MESH SHALL BE USED
 - HYDRO SEEDING MULCH SHALL BE USED ON ALL DISTURBED AREAS UPON COMPLETION OF ROUGH OR FINAL GRADING ACTIVITIES. GRADING WILL BE CONSIDERED COMPLETE WHEN THE AREA WILL REMAIN UNDISTURBED FOR 30 OR MORE DAYS.
 - EROSION CONTROL BLANKET WILL BE USED TO COVER PROBLEM AREAS WHERE STABILIZATION IS NOT ACHIEVED WITH HYDRO SEED MULCH AND IN THE BOTTOM OF STORMWATER CHANNELS. THE BOTTOM AND SIDE SLOPES WILL BE MULCHED BEFORE THE BLANKET IS APPLIED

1 EROSION CONTROL BLANKET
NOT TO SCALE



2 WOODCHIP BERM
NOT TO SCALE



3 TEMPORARY CHECK DAM DETAIL
NOT TO SCALE

NOTES:
1. MULCH BERMS SHALL BE USED ONLY WHERE SHEET FLOW OCCURS AND WHERE THE UPSTREAM SLOPE IS LESS THAN 5%.

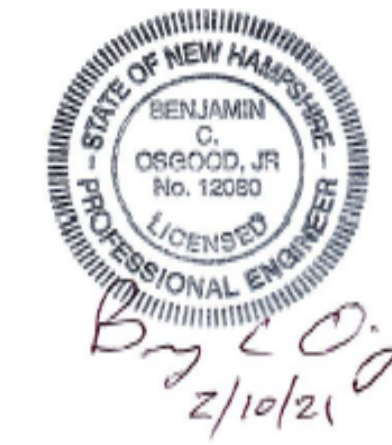
DATE	NO.	REVISIONS	BY
02/10/2021	1	09/14/2020 DES REVIEW COMMENTS	BCO
07/10/2020	1	FINAL REVIEW COMMENTS	BCO

SITE PLAN
ROUTE 103 WEST, WARNER NH,
ASSESSOR'S MAP 35 LOTS 4-1 & 4-2

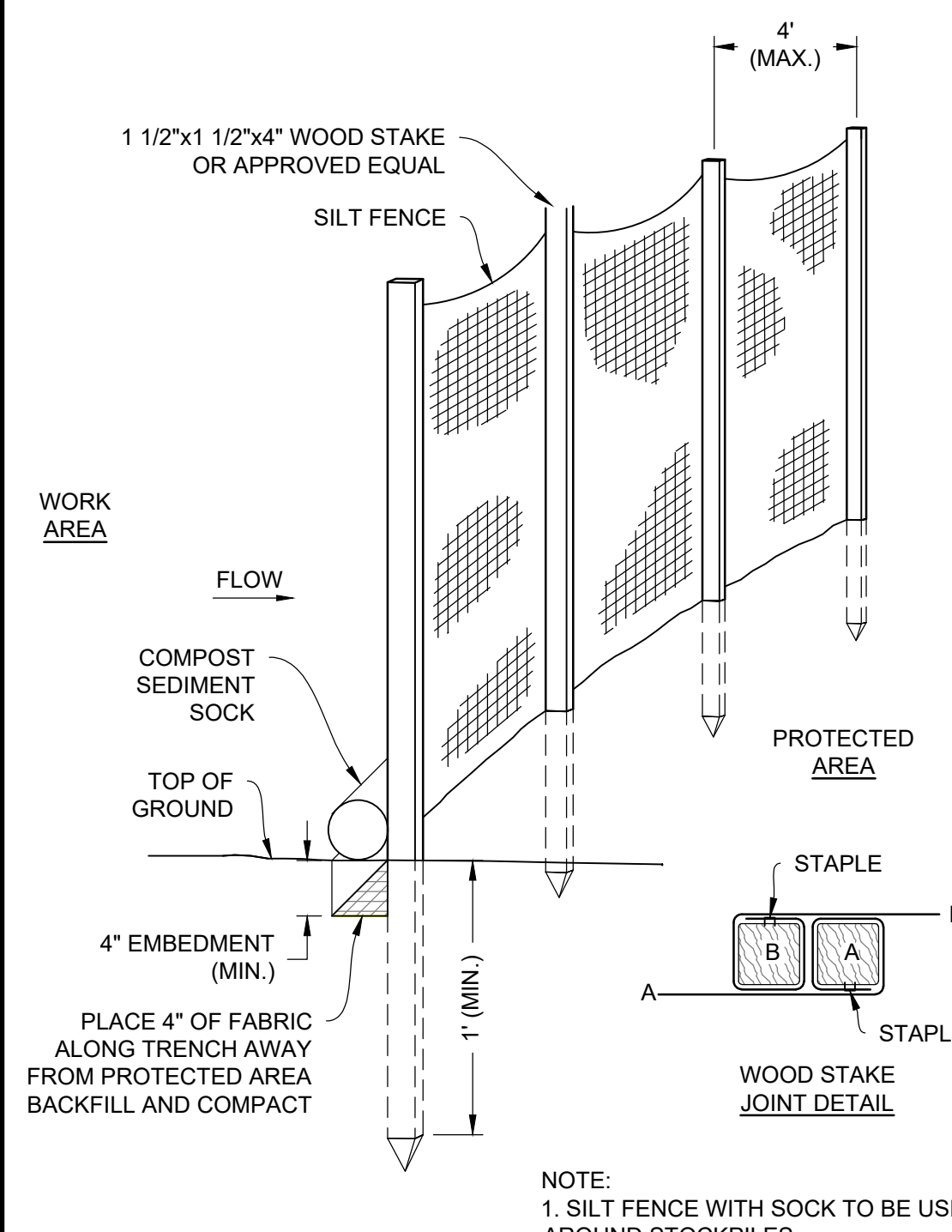
OWNER: COMET, LLC
355 MIDDLESEX AVE, SUITE 7 WILMINGTON, MA 01887

EROSION CONTROL PLAN
CS8002

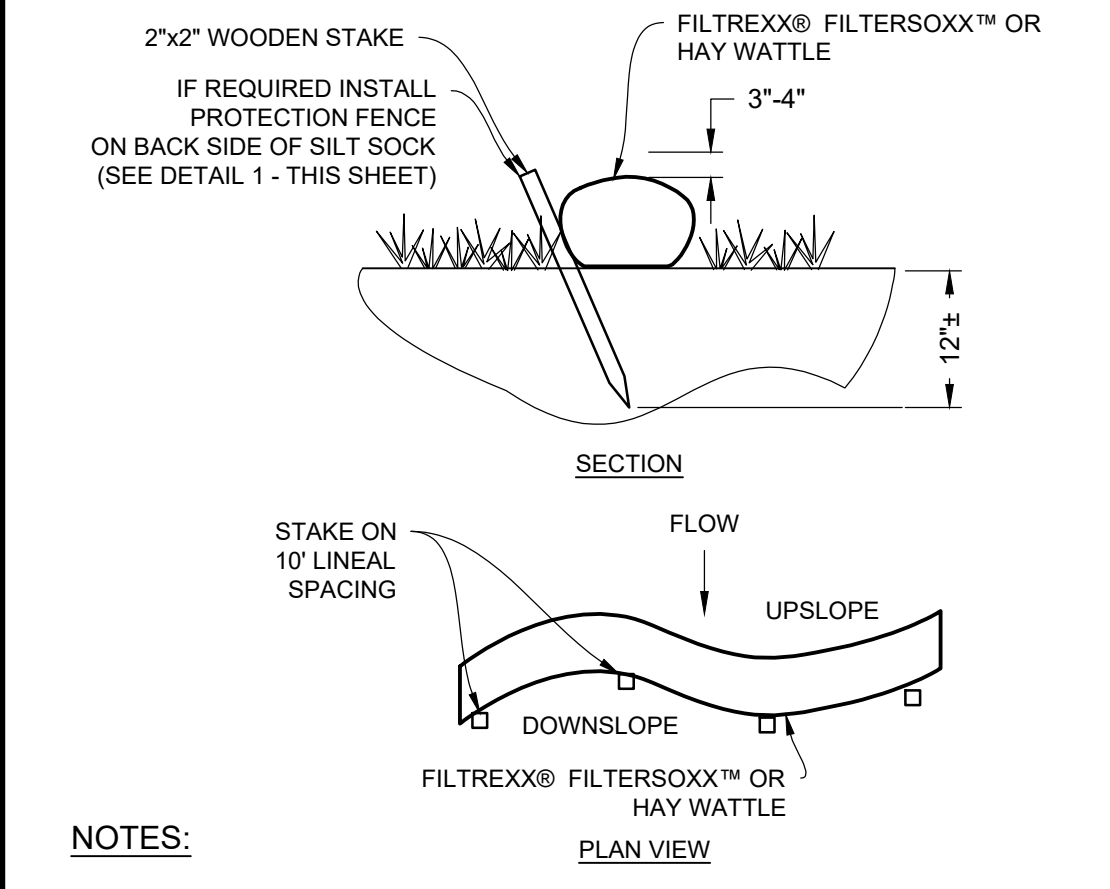
Ranger Engineering Group, Inc.
13 Branch Street, Suite 101
Methuen, MA 01844
Tel: 978-208-1762
rangereng.com



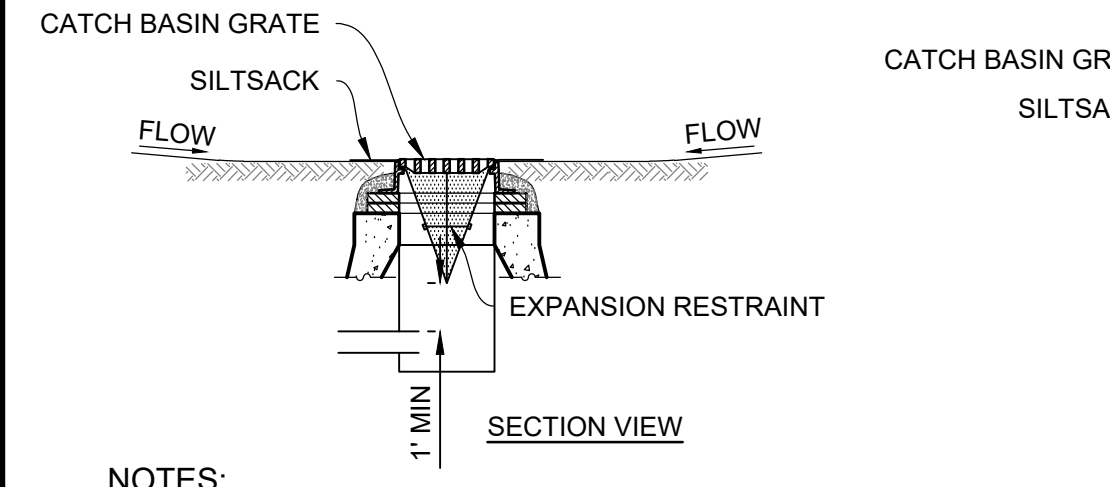
PLOTTED: 2/10/2021 1:58 PM BY: QIR/ICAR PROJECT STATUS: PLOT STYLE: C:\K\PROJECTS\CHBC_CHANNEL BUILDING\9-104-Warner\INDDESIGN_PUBLISH\PLANSET\CS8002.dwg



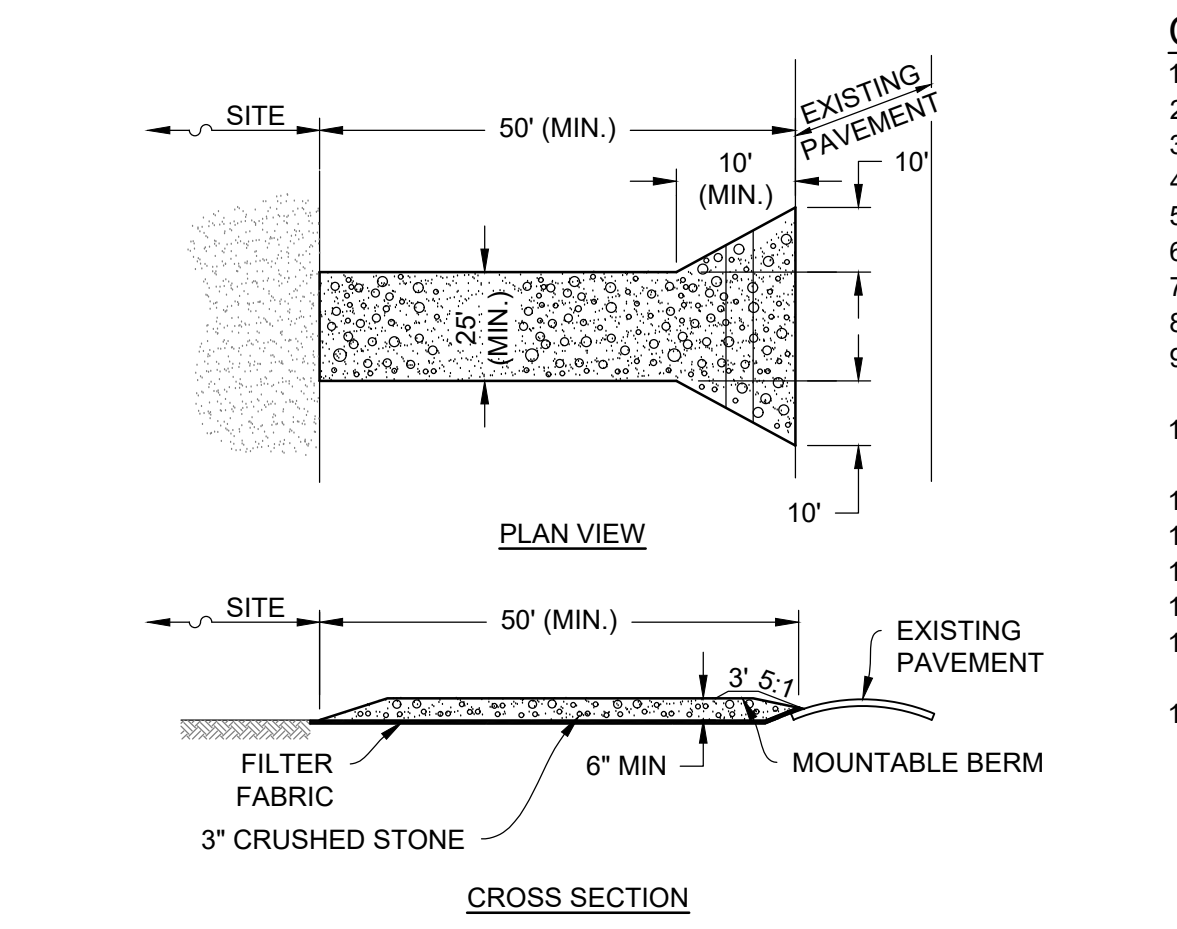
1 SILT FENCE BARRIER
NOT TO SCALE



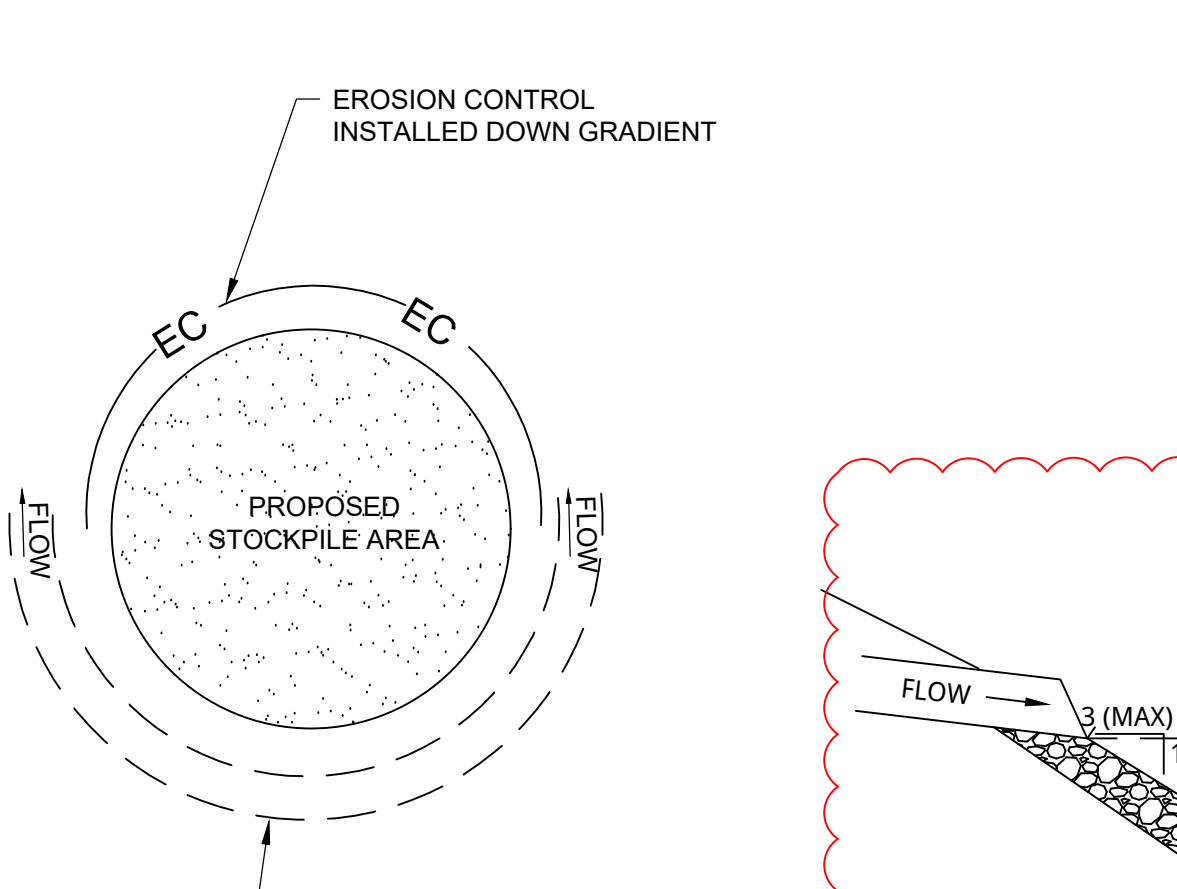
3 SEDIMENT SOCK / HAY WATTLE DETAIL
NOT TO SCALE



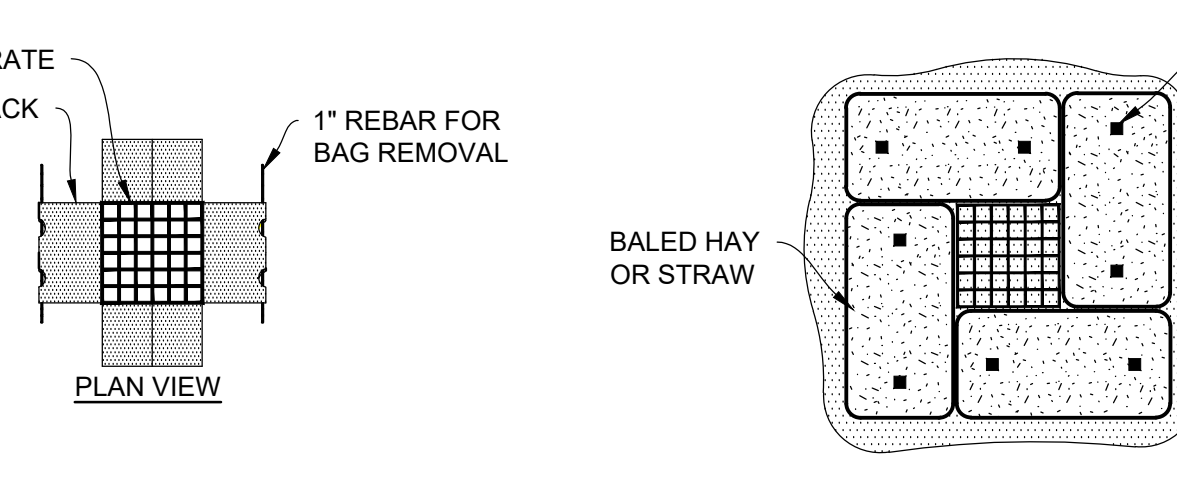
6 SILTSACK SEDIMENT TRAP
NOT TO SCALE



2 STABILIZED CONSTRUCTION ENTRANCE
NOT TO SCALE



4 STOCKPILE PROTECTION
NOT TO SCALE



5 LEVEL LIP SPREADER
NOT TO SCALE



6 CATCH BASIN SEDIMENT TRAP
NOT TO SCALE

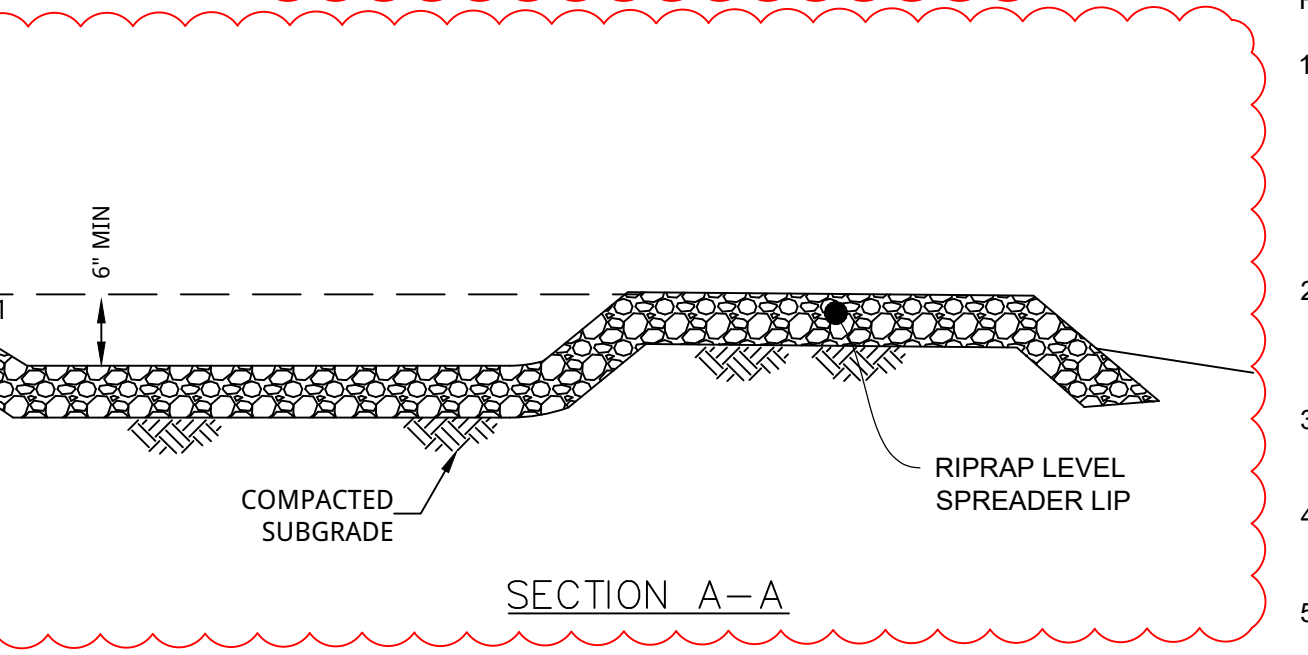
CONSTRUCTION SEQUENCE NOTES:

1. INSTALL EROSION AND SEDIMENT CONTROLS AS SHOWN ON PLAN.
2. COMMENCE CLEARING, GRUBBING AND EARTHWORK.
3. CUT AND DISPOSE OF ANY DEBRIS PRODUCED DURING EARTHWORK.
4. **INSTALL TEMPORARY SEDIMENT CONTROL BASINS**
5. **FILL SITE TO SUBGRADE AND ROUGH GRADE.**
6. **INSTALL STORMWATER PONDS, INFILTRATION BASINS, SWALES, AND UTILITIES.**
7. **INSTALL BUILDING FOUNDATION.**
8. **CONSTRUCT PAVED AREA BASE COURSES**
9. STABILIZE SIDE SLOPES. SIDE SLOPES MUST BE FULLY STABILIZED BEFORE ANY STORMWATER DISCHARGE.
10. DISTURBED AREAS SHALL BE PERMANENTLY STABILIZED WITHIN 72 HOURS OF THE ESTABLISHMENT OF FINAL GRADE.
11. CONSTRUCT BUILDING.
12. FINAL PAVING OF DRIVEWAY AND PARKING AREAS.
13. INSPECT ALL SEDIMENT AND EROSION CONTROL MEASURES.
14. INSTALL SITE LANDSCAPING AND PERMANENT SEEDING OF ALL DISTURBED AREAS.
15. AFTER ALL SEEDED AREAS HAVE ESTABLISHED STABLE GROWTH, ALL TEMPORARY EROSION CONTROL CAN BE REMOVED.
16. CONTRACTOR SHALL NOTIFY AND COORDINATE WITH ALL AUTHORITIES RESPONSIBLE FOR INSPECTIONS. IT IS THE CONTRACTOR'S RESPONSIBILITY TO OBTAIN ALL REQUIRED INSPECTION SIGN-OFFS.

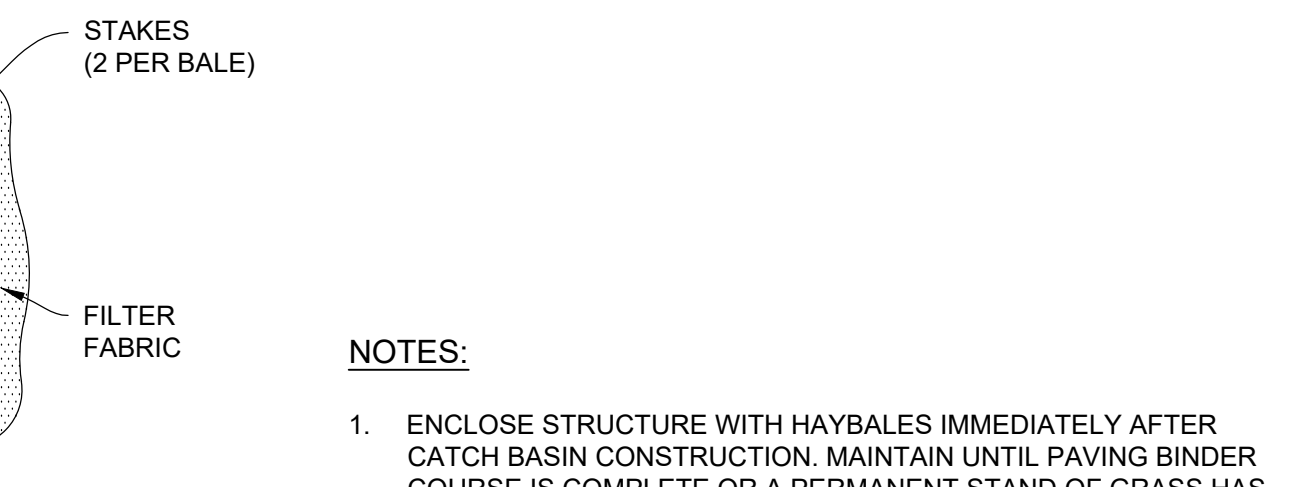
Table 4-1. Seeding Recommendations for Temporary Vegetation

Species	Per Acre bushels (BU) or pounds (lbs)	Per 1,000 ft ²	Remarks
Winter Rye	2 BU. or 112 lbs.	2.5 lbs.	Best for fall seeding. Seed from August 15 to September 15 for best cover. Seed to a depth of 1 inch.
Oats	2.5 BU. or 80 lbs.	2 lbs.	Best for spring seedings. Seed no later than May 15 for summer protection. Seed to a depth of 1 inch.
Annual Ryegrass	40 lbs.	1 lb.	Grows quickly, but is of short duration. Use where appearances are important. Seed early spring and/or between August 15 and September 15. Cover the seed with no more than 0.25 inch of soil.
Perennial Ryegrass	30 lbs.	0.7 lb.	Good cover which is longer lasting than annual ryegrass. Seed between April 1 and June 1 and/or between August 15 and September 15. Mutching will allow seeding throughout the growing season. Seed to a depth of approximately 0.5 inch.

Source: Minnick, E.L. and H.T. Marshall. (August 1992)



5 LEVEL LIP SPREADER
NOT TO SCALE



6 CATCH BASIN SEDIMENT TRAP
NOT TO SCALE



6 CATCH BASIN SEDIMENT TRAP
NOT TO SCALE

OPERATION AND MAINTENANCE:

CONSTRUCTION PHASE

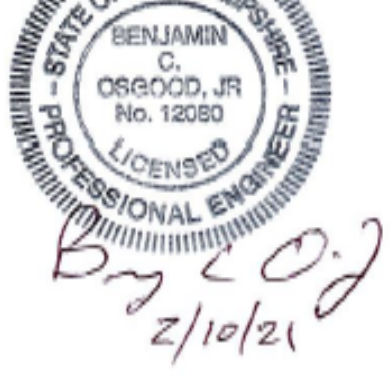
- THE BMP'S ASSOCIATED WITH THIS PROJECT WILL BE OWNED BY THE CONTRACTOR, WHO WILL BE RESPONSIBLE FOR INSPECTION, OPERATION AND MAINTENANCE. THE PROJECT IS TO BE MANAGED IN A MANNER THAT MEETS THE REQUIREMENTS AND INTENT OF RSA 430:53 AND CHAPTER AGR 3800 RELATIVE TO INVASIVE SPECIES
1. PRIOR TO ANY CONSTRUCTION, THE CONTRACTOR SHALL PHYSICALLY MARK THE LIMITS OF NO LAND DISTURBANCE ON THE SITE AND INSTALL PERIMETER CONTROLS.
 2. THE CONTRACTOR IS TO INSTALL AND MAINTAIN DRAINAGE FACILITIES AS SHOWN ON THE SITE PLANS.
 3. PRIOR TO CONSTRUCTION, ALL EROSION/SILTATION CONTROL DEVICES SHOWN ON ABOVE PLAN ARE TO BE INSTALLED. TO PREVENT SILT INTRUSION INTO THE DRAINAGE SYSTEM DURING CONSTRUCTION, THE CONTRACTOR IS TO INSTALL AND MAINTAIN INLET PROTECTION AT ALL CATCH BASINS, AND SET A SILT FENCE OR SEDIMENT SOCK AT ALL SLOPES WHICH MAY ERODE IN THE DIRECTION OF ANY OPEN DRAINAGE FACILITIES. SUCH PREVENTIVE MEASURES ARE TO BE MAINTAINED THROUGHOUT THE CONSTRUCTION PROCESS. TEMPORARY CONTROLS SHALL BE INSTALLED TO REDUCE DUST AND SEDIMENT TRANSPORT.
 4. CONSTRUCTION OF DRAINAGE FACILITIES IS TO BE INSPECTED BY DESIGN ENGINEER TO VERIFY CONFORMANCE TO THE DESIGN PLAN.
 5. THE SEQUENCE OF DRAINAGE CONSTRUCTION SHALL BE AS FOLLOWS:
 - A. CLEAR, GRUB, EXCAVATE AREAS FOR DRAINAGE SYSTEMS.
 - B. TRENCH AND INSTALL PIPES, CATCH BASINS MANHOLES
 - C. INSTALL INLET PROTECTION.
 6. EROSION CONTROLS ARE TO BE INSPECTED AND MAINTAINED ON A WEEKLY BASIS OR AFTER EVERY HALF INCH OF RAIN FALL. UPON DISCOVERY OF SILT BUILD-UP IN ANY CATCH BASIN SUMPS, OR ANY OTHER STRUCTURES, THEY ARE TO BE CLEANED.
 7. ALL EXPOSED SOILS SHALL BE IMMEDIATELY STABILIZED WITH A LAYER OF MULCH HAY OR JUTE BLANKETS-AS NEEDED FOR SLOPES STEEPER THAN 3:1.
 - 8.1. DITCHES AND SWALES SHALL BE STABILIZED BEFORE DIRECTING WATER TO THEM .
 - 8.2. ROADWAYS AND PARKING LOTS SHALL BE STABILIZED BEFORE DIRECTING WATER TO THEM
 - 8.3. CUT AND FILL SLOPES SHALL BE SEEDED/ LOAMED WITHIN 72 HOURS OF ACHIEVING FINISH GRADE
 9. MULCH BERMS SHALL BE USED ONLY WHERE SHEET FLOW OCCURS AND WHERE THE UPSTREAM SLOPE IS LESS THAN 5%. BERM MUST BE AT LEAST 12" HIGH AND 2 FEET WIDE.
 10. PRIOR TO CONSTRUCTION OF IMPERVIOUS AREAS, ALL DRAINAGE STRUCTURES AND PIPES SHALL BE INSTALLED AND INSPECTED FOR PROPER FUNCTION. DURING CONSTRUCTION OF OTHER SITE FEATURES, ALL DRAINAGE FACILITIES SHALL BE INSPECTED ON A WEEKLY BASIS AND CLEANED/REPAIRED IMMEDIATELY UPON DISCOVERY OF SEDIMENT BUILD-UP OR DAMAGE.
 11. AFTER PAVING IS INSTALLED, IT SHALL BE SWEEPED CLEAN ON A REGULAR BASIS.
 12. IF DEWATERING IS NECESSARY DURING CONSTRUCTION, THE WATER WILL BE TREATED FOR TOTAL SUSPENDED SOLIDS (TSS) REMOVAL PRIOR TO DISCHARGE TO RECEIVING WATER.

POST-DEVELOPMENT PHASE

- THE OWNER(S) IS TO BE RESPONSIBLE FOR MAINTENANCE OF ALL DRAINAGE STRUCTURES IN THE PROJECT - INCLUDING ROOF DRAINS, DRAIN PIPES, CATCH BASINS, AND DRAIN MANHOLES.
- REGULAR MAINTENANCE IS TO INCLUDE THE FOLLOWING:
1. INSPECTION OF ALL DRAINAGE FACILITIES (CATCH BASINS, PIPES, OUTLET CONTROL STRUCTURES, AND DETENTION BASINS) EVERY THREE MONTHS. DURING THESE INSPECTIONS, THE INSPECTOR (A REGISTERED PROFESSIONAL CIVIL ENGINEER QUALIFIED IN DRAINAGE SYSTEMS) SHALL LOOK FOR EVIDENCE OF THE FOLLOWING: STRUCTURAL DAMAGE, SILT ACCUMULATION (NEAR INLET INVERTS ON CATCH BASINS AND OUTLET CONTROL STRUCTURES), AND IMPROPER FUNCTION. A REPORT ON THE SYSTEM SHALL BE DELIVERED TO THE OWNER.
 2. AFTER INSPECTION, IF ANY OF THE ABOVE CONDITIONS EXIST, THE INSPECTOR SHALL NOTIFY THE OWNER, WHO SHALL IMMEDIATELY ARRANGE FOR ALL NECESSARY REPAIRS AND/OR SEDIMENT REMOVAL.
 3. THE PAVEMENT AREA IS TO BE SWEEPED CLEAN, AS REQUIRED (I.E., VISUALLY NOTICEABLE DEBRIS BUILD-UP). A MINIMUM OF ONCE PER YEAR.
 4. ALL GRADED SLOPES SHALL BE INSPECTED EVERY SPRING FOR EROSION. UPON DISCOVERY OF ANY FAILURE (IE. EROSION), LOAM AND SEED SHALL BE PUT IN PLACE AND NURTURED.
 5. DURING THE WINTER MONTHS, ALL SNOW IS TO BE STORED SUCH THAT SNOW MELT IS CONTROLLED WITHIN THE PAVED AREA.

WINTER CONSTRUCTION SEQUENCE NOTES:

1. ALL PROPOSED VEGETATED AREAS THAT DO NOT EXHIBIT A MINIMUM OF 85% VEGETATIVE GROWTH BY OCTOBER 15, OR WHICH ARE DISTURBED AFTER OCTOBER 15, SHALL BE STABILIZED BY SEEDING AND INSTALLING EROSION CONTROL BLANKETS ON SLOPES GREATER THAN 3:1 AND SEEDING AND PLACING 3-4 TONS OF MULCH PER ACRE, SECURED WITH ANCHORING NETTING. ELSEWHERE, THE INSTALLATION OF EROSION CONTROL BLANKETS OR MULCH AND NETTING SHALL NOT OCCUR OVER ACCUMULATED SNOW OR ON FROZEN GROUND AND SHALL BE COMPLETED IN ADVANCE OF THAW OR SPRING MELT EVENTS.
2. ALL DITCHES OR SWALES WHICH DO NOT EXHIBIT A MINIMUM OF 85% VEGETATIVE GROWTH BY OCTOBER 15TH OR WHICH ARE DISTURBED AFTER OCTOBER 15TH SHALL BE STABILIZED TEMPORARILY WITH STONE OR EROSION CONTROL BLANKETS APPROPRIATE FOR THE FLOW.
3. AFTER OCTOBER 15, INCOMPLETE ROAD OR PARKING SURFACES, WHERE WORK HAS STOPPED FOR THE WINTER SEASON SHALL BE PROTECTED WITH A MINIMUM OF 3" OF CRUSHED GRAVEL PER NHDOT ITEM 304.3



WARNER PLANNING BOARD CHAIRMAN:
DATE: 2/10/21

EROSION CONTROL NOTES (DURING CONSTRUCTION)

1. THE CONTRACTOR MUST INSTALL EROSION CONTROL MEASURES AS SHOWN ON THE PLANS AND IN THE DETAILS PRIOR TO STARTING ANY OTHER WORK ON THE SITE. EROSION CONTROL MUST BE INSTALLED AT EVERY INLET STRUCTURE (EXISTING AND PROPOSED) AND MAINTAINED FOR THE DURATION OF THE PROJECT.
2. EROSION CONTROLS AS SHOWN ON PLANS SHALL BE INSPECTED, REPAIRED AND/OR MAINTAINED BY THE CONTRACTOR DAILY AND WITHIN 12 HOURS OF EACH STORM EVENT.
3. SEDIMENT DEPOSITS SHALL BE REMOVED WHEN THEY REACH A DEPTH OF 1/4 TO 1/2 THE HEIGHT OF THE SILT FENCE OR SEDIMENT SOCK.
4. SEDIMENT SHALL BE CONTAINED WITHIN THE CONSTRUCTION SITE, AWAY FROM DRAINAGE STRUCTURES. SEDIMENT REACHING THE PUBLIC WAY SHALL BE REMOVED BY STREET SWEEPING AND NOT BY FLUSHING.
5. STABILIZE SLOPES STEEPER THAN 3:1 (HORIZONTAL TO VERTICAL) WITH SEED, SECURED GEOTEXTILE FABRIC, OR ROCK RIP-RAP AS REQUIRED TO PREVENT EROSION DURING CONSTRUCTION.
6. TEMPORARY SEEDING WILL BE APPLIED AS NECESSARY ON ANY ROUGH GRADED SURFACE WHICH WILL REMAIN UNDISTURBED FOR A PERIOD GREATER THAN 30 DAYS AND UPON LONG STANDING SOIL STOCKPILES. WASHED OUT OR ERODED AREAS SHALL BE RE-STABILIZED WITH ADDITIONAL COMPACTED LOAM AND SEED AND PROTECTED AS REQUIRED. TEMPORARY SEED SPECIES SHALL BE PER TABLE 4-1.
7. STABILIZE PAVEMENT AREAS WITHIN 72 HOURS OF ACHIEVING FINISHED GRADE
8. CLEAN OUT CATCH BASINS, DRAIN MANHOLES AND STORM DRAIN PIPES AFTER COMPLETION OF CONSTRUCTION.
9. LOAM AND SEED ALL DISTURBED AREAS. PERMANENT SEEDING SHALL OCCUR IN THE SPRING FROM LATE MARCH THROUGH MAY AND IN LATE SUMMER OR EARLY FALL BETWEEN AUGUST AND OCTOBER
10. DUST SHALL BE CONTROLLED AT THE SITE WITH MECHANICAL WATER SPRAYING AS NECESSARY AND DURING EXTENDED DRY PERIODS.
11. UPON ESTABLISHMENT OF PERMANENT VEGETATION OVER DISTURBED AREAS, REMOVE AND DISPOSE OF STRAW WATTLES AND STAKES.
12. IT IS THE RESPONSIBILITY OF THE CONTRACTOR TO MAINTAIN AND SUPPLEMENT THE SPECIFIED SEDIMENTATION CONTROLS AS NECESSARY TO PREVENT SEDIMENTATION OF OFF-SITE AREAS AND/OR ANY REGULATED RESOURCE AREAS. FAILURE BY THE CONTRACTOR TO CONTROL EROSION, POLLUTION AND/OR SILTATION SHALL BE CAUSE FOR THE OWNER TO EMPLOY OUTSIDE ASSISTANCE OR TO USE HIS OWN MEANS TO PROVIDE THE NECESSARY CORRECTIVE MEASURE. THE COST OF SUCH ASSISTANCE PLUS PROJECT ENGINEERING COSTS WILL BE THE CONTRACTOR'S RESPONSIBILITY.
13. THE CONTRACTOR SHALL CHECK THE CONDITION OF EROSION CONTROLS WEEKLY TO KEEP THEM IN GOOD OPERATING CONDITION. EROSION CONTROLS SHALL ALSO BE INSPECTED, REPAIRED AND MAINTAINED BY THE CONTRACTOR WITHIN 12 HOURS OF ANY STORM EVENT PRODUCING 1/2 INCH OF RAINFALL OR MORE. EROSION CONTROLS SHALL BE REPLACED WHEN DETERIORATED, OR WHEN ORDERED BY THE ENGINEER. SEDIMENT DEPOSITS SHALL BE REMOVED WHEN THEY REACH A DEPTH OF 6 INCHES.
14. IN ADDITION TO THOSE LOCATIONS SHOWN ON THIS PLAN AND ON THE GRADING AND DRAINAGE PLANS, EROSION CONTROLS SHALL BE INSTALLED AT THE FOLLOWING LOCATIONS: TOE OF SLOPE OF EMBANKMENT CONSTRUCTION, TOE OF TEMPORARY EARTHWORK STOCKPILES. STOCKPILE SIDE SLOPES SHALL NOT EXCEED 2:1.
15. EROSION AND SEDIMENTATION CONTROL SHALL BE IN COMPLIANCE WITH MASSACHUSETTS STORMWATER POLICY.
16. AN AREA SHALL BE CONSIDERED STABLE IF ONE OF THE FOLLOWING HAS OCCURRED:
 - A. BASE GRAVELS HAVE BEEN INSTALLED IN AREAS TO BE PAVED.
 - B. A MINIMUM OF 85% VEGETATED GROWTH HAS BEEN ESTABLISHED.
 - C. A MINIMUM OF 3" OF NON-EROSIVE MATERIAL SUCH AS STONE OR RIPRAP HAS BEEN INSTALLED.
 - D. EROSION CONTROL BLANKETS HAVE BEEN PROPERLY INSTALLED.
 - E. ALL AREAS SHALL BE STABILIZED WITHIN 45 DAYS OF INITIAL DISTURBANCE
17. THE SMALLEST PRACTICAL AREA SHALL BE DISTURBED DURING CONSTRUCTION BUT IN NO CASE EXCEED 2.75 ACRES AT ANY ONE TIME BEFORE DISTURBED AREAS ARE STABILIZED
18. ANY SEDIMENTS REMOVED FROM EROSION CONTROL DEVICES, CATCH BASINS, AND STORMWATER STRUCTURES SHALL BE DISPOSED OF PROPERLY.

DATE	NO.	REVISIONS	BY
02/10/2021	1	09/14/2020 DES REVIEW COMMENTS	BCO
07/10/2020	1	FINAL REVIEW COMMENTS	BCO

SITE PLAN
ROUTE 103 WEST, WARNER NH,
ASSESSOR'S MAP 35 LOTS 4-1 & 4-2

OWNER: COMET, LLC
355 MIDDLESEX AVE, SUITE 7 WILMINGTON, MA 01887

EROSION CONTROL NOTES AND DETAILS
CS8501

Ranger Engineering Group, Inc.
13 Branch Street, Suite 101
Methuen, MA 01844
Tel: 978-208-1762
rangereng.com

SCALE: 1" = 30'
SHEET 17 OF 17